

CASTEX 150



HAZARDOUS

- The **CASTEX 150** is a hazardous location LED lighting fixture rated for use in:
 - Class I, Division 1, Groups C, D
 - Class I, Division 2, Groups A, B, C, D
 - Class II, Division 1, Groups E, F, G
 - Class II, Division 2, Groups F, G
 - Class III
 - UL1598 (Wet Location) & UL1598A (Marine)
- The **CASTEX 150** comes in a gray housing with surface mount standard. Pendant and wall surface mounting options are also available. Wide light distribution of 120° makes the unit suitable for most operations. Other distributions available (40°, 60° & 90°); contact factory for details.
- **HOUSING:** Die-cast copper free ADC12/A383 6 mm aluminum alloy body.
- **DIFFUSER:** 8 mm tempered glass.
- **COLOR TEMPERATURE:** 5000K. Other color temperatures available (2200K to 7000K); contact factory for details.
- **LUMENS:**
 - MO: 30W @ 4200 lm
 - HO: 40W @ 5600 lm
- **OPERATING TEMP:**
 - HT (AC Only) -40°F to 149°F (-40°C to 65°C)
- **WEIGHT:** 10 lbs (4.65 kg)



- **APPLICATION:** The **CASTEX 150** is ideal for oil, gas, chemical, marine, aerospace, metal treatment, food and alcohol industries. The luminaire is ideally suited for high humidity, high vapor, high dust and high temperature locations.

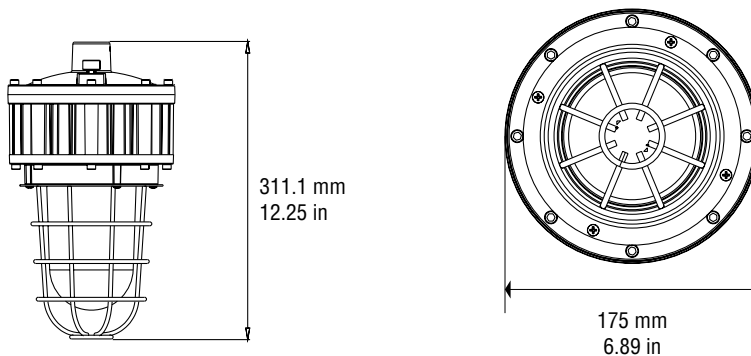
CONFIGURATIONS

MODEL	OPERATION	OUTPUT	DIMMING	COLOR TEMP	INPUT	MOUNTING
HZ-CAS150	HT (AC only)	MO HO	DIM (0-10V dimming)	WT50 ¹ (5000K)	120-277V	PK12 (12" pendant kit) WM25 (wall mount 25°) WM90 (wall mount 90°)

NOTE 1: Other Color temperatures available (2200K to 7000K). Contact factory for details.

NOTE: Surface mount standard.

DIMENSIONS



MOUNTING OPTIONS

Standard

(surface/ceiling mount bracket)

The ceiling or the Wall

Metal stents

Pendant Kit

(PK12)

Straight Tooth rod

Wall Mount 25°

(WM25)

Junction Box

Wall Bracket

Wall

M8x30 S30400

242.1/9.53

100/3.94

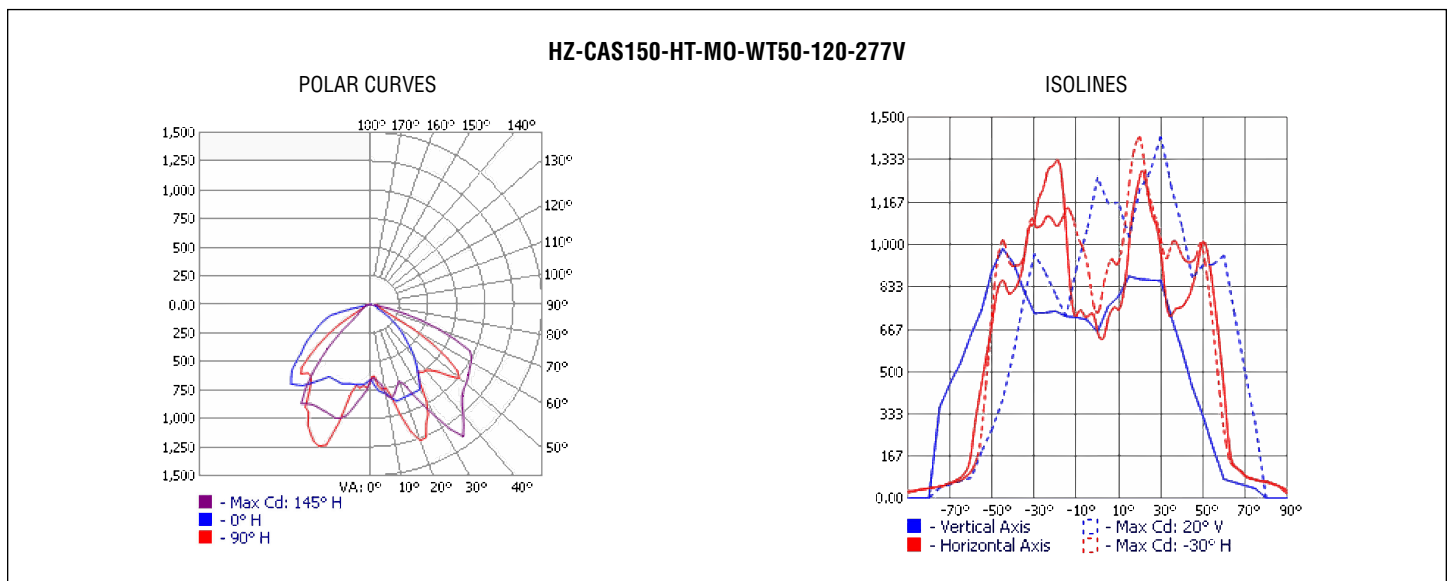
Wall Mount 90°

(WM90)

90°

25°

PHOTOMETRICS



CASTEX 150

ENERGY CHART

MODEL	EFFICACY	CONSUMPTION WATTAGE	LUMEN OUTPUT	CRI	L70 (HRS) TESTED	L70 (HRS) PROJECTED
HZ-CAS-150-HT-M0-WT50-120-277V	140 lm/W	30W	4200 lm	>70	>44,000	>72,000
HZ-CAS-150-HT-H0-WT50-120-277V	140 lm/W	40W	5600 lm	>70	>44,000	>72,000

ELECTRICAL RATING

PRODUCT	NOMINAL POWER (W)	AC CURRENT (A) AC VOLTAGE		FREQUENCY (HZ)	DC VOLTAGE (V)	DC CURRENT (MA)
		120 V	277 V			
HZ-CAS-150-HT-M0	30W	0.26	0.11	50/60	48	630
HZ-CAS-150-HT-H0	40W	0.34	0.15	50/60	48	840

■ **WARRANTY:** 5 years, see website for full warranty details.