

BTMR - MR16 Die-cast Aluminum Remote Head

INDOOR



Remotes

Job/Location: _____	Job Type: _____
Contractor: _____	Date: _____
Prepared By: _____	



■ btmr - mr16 surface emergency remote

The BTMR series is a die-cast aluminum emergency lighting remote that features a powerful MR16 lamp. The BTMR series are supplied standard in a white finish. The advanced rotary collar design locks the lamp and internal fixture parts into place while allowing for simple lamp replacement. The rotary collar system features a friction lock fully adjustable swivel - no tools are needed to aim the lamp. The operating temperature is from -22°F up to 104°F (-30°C to 40°C).

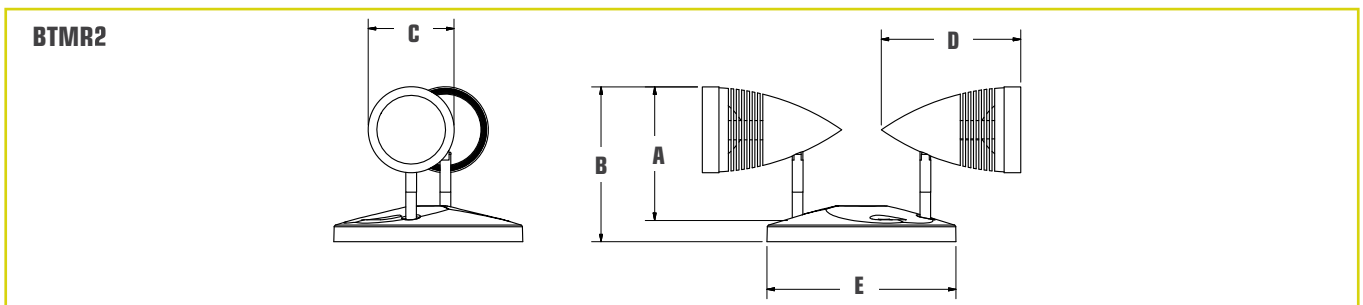
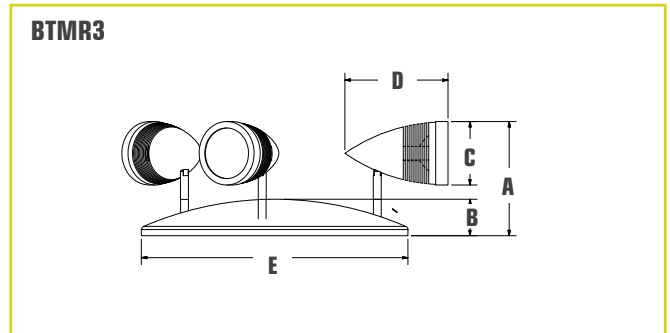
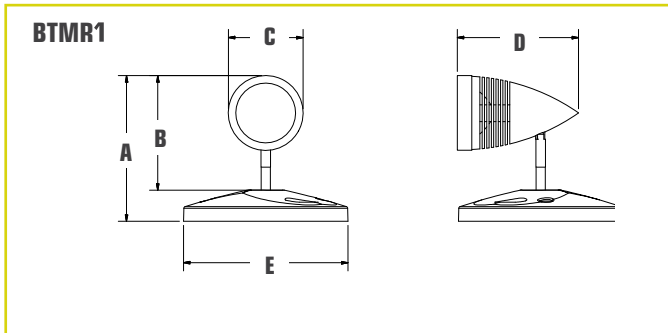
■ lamp selection

	6V	12V	24V
MR16	-	20, 35, 50W	-
MR16 LED	5, 7W	2, 5, 7W	5, 7W

■ ordering logic

Series	Voltage / Wattage	Options
BTMR1 (single head)	See lamp selection	B (black remote and canopy)
BTMR2 (double head)		LC (less canopy)
BTMR3 (triple head)		

DIMENSIONS



MODEL	A	B	C	D	E
BTMR1 (single head)	4 ³ / ₈ " (113mm)	3 ¹ / ₂ " (89mm)	2 ¹ / ₄ " (58mm)	3 ³ / ₄ " (94mm)	5" (127mm)
BTMR2 (double head)	4 ¹ / ₈ " (104mm)	3 ¹ / ₂ " (89mm)	2 ¹ / ₄ " (58mm)	3 ³ / ₄ " (94mm)	5" (127mm)
BTMR3 (triple head)	4 ¹ / ₈ " (104mm)	1 ¹ / ₄ " (33mm)	2 ¹ / ₄ " (58mm)	3 ³ / ₄ " (94mm)	9 ¹ / ₂ " (241mm)