

# LEDLUMINA



## BS400LED - MID BAY

- The **LEDLUMINA** BS400LED is a modern, energy saving solution that is scalable to your project.
- The **LEDLUMINA** BS400LED features an installation bracket, quick connect installation, and stainless steel hardware.
- **DIFFUSER:** Frosted UV stabilized polycarbonate diffuser, providing even light distribution. Reflected light technology provides improved glare control.
- **HOUSING:** Die-cast copper-free aluminum.
- **LUMENS:**
  - LO (30W): 3571 up to 3779 lm (SA: 1251 lm)
  - MO (45W): 5358 up to 5671 lm (SA: 1251 lm)
  - HO (60W): 6880 up to 7282 lm (EM: 2049 lm)
- **WEIGHT:** 14 lbs / 6.3 kg



**APPLICATION:** The **BS100LED-PG** has been specifically designed to meet parking structure requirements. It's also ideal for other applications including retail stores, industrial installations, warehouses, breezeways, canopies, schools and much more. It can be installed both indoor and outdoor.

	HT (AC only)	SA (AC & EM)	EM (Emerg. backup)	CT (cold temp.)
TEMP.	-40°F to 104°F	32°F to 77°F	32°F to 104°F	-4°F to 77°F
OUTPUT	LO, MO, HO	LO, MO	LO, MO, HO	LO, MO

## CONFIGURATIONS

MODEL	OPERATION	OUTPUT	COLOR TEMP	INPUT	MOUNTING	OPTIONS
BS400LED	HT (AC only)	LO	WT30 (3000K)	120-277V	AC <sup>2</sup> (aviation cable)	ASY <sup>4</sup> (asymmetric distribution)
	SA <sup>1</sup> (AC & EM)	MO	WT40 (4000K)	347-480V	CH <sup>3</sup> (chain hang kit)	CT <sup>5</sup> (integrated cold temperature emergency pack)
		HO	WT50 (5000K)		PK <sup>3</sup> (pendant kit)	EM <sup>6</sup> (emergency back-up remote)
					SVLPK <sup>3</sup> (swivel pendant kit)	FP (fuse protection - 3A)
					TM (trunion mount)	HHR-FSIR (hand held remote)
						IOS <sup>7</sup> (internal occupancy sensor)
						IOSL <sup>8</sup> (internal occ. sensor - LOGICA)
						NODL <sup>8</sup> (integrated node - LOGICA)
						RLYL (wireless relay and sensor)
						SP (surge protection - 10 KA)

NOTE 1: SA for LO & MO only (120-277V); 16W; 1881lm. SA version with test switch and LED indicator.

NOTE 2: Specify length for AC: 50", 72", 100", 150", 250" fully adjustable.

NOTE 3: Specify length for CH, PK, SVLPK: 12", 24", 36", 48" fully adjustable.

NOTE 4: Field installation asymmetric lens.

NOTE 5: CT for LO & MO only. Integrated cold temperature emergency pack (120-277V). 14W; 1685 lm.

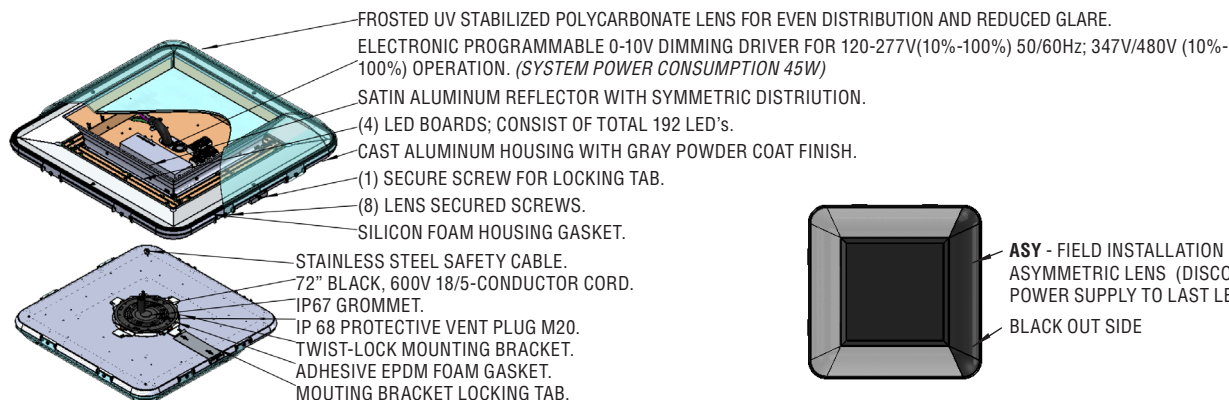
NOTE 6: Title 20 field installation remote mounted emergency pack (120-277V); 17W; 2049 lm.

NOTE 7: FSP-221. Requires HHR-FSIR (hand held remote).

NOTE 8: Logica (Beggelli wireless and powerless control solutions). IOSL is wet location. Contact factory for more details.

NOTE: Surface mount is standard.

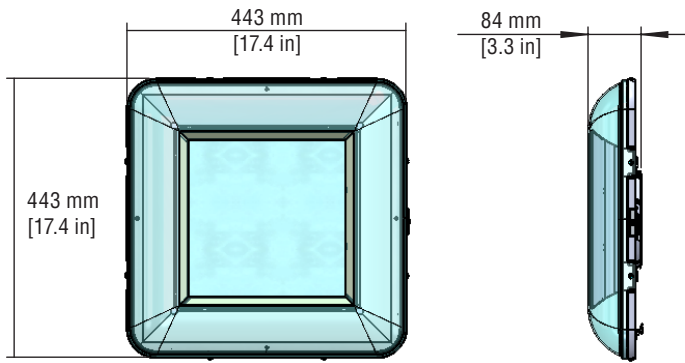
## TECHNICAL INFORMATION



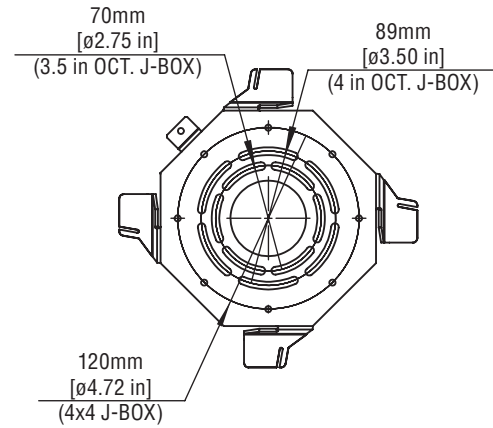
# LEDLUMINA BS400LED

ADDITIONAL INFORMATION

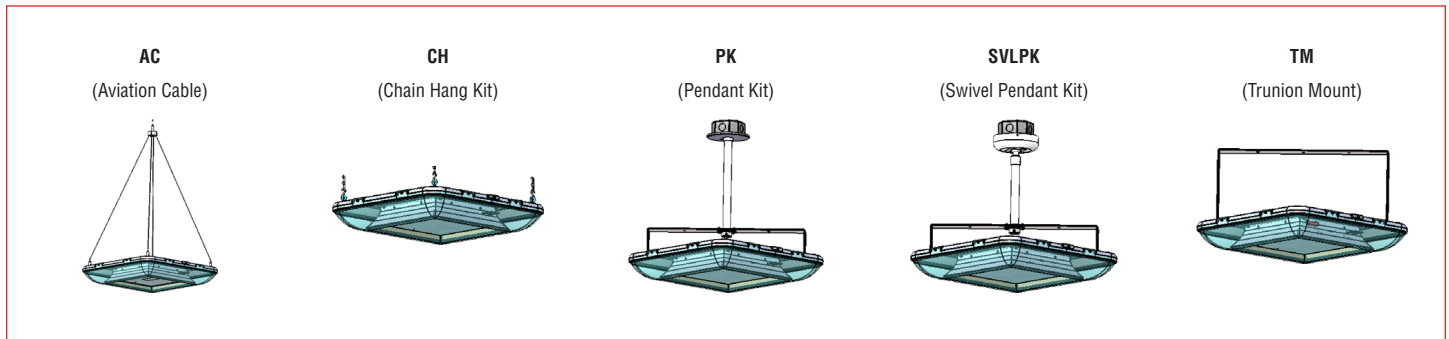
## DIMENSIONS



## SURFACE MOUNTING (STANDARD WITH BRACKET)



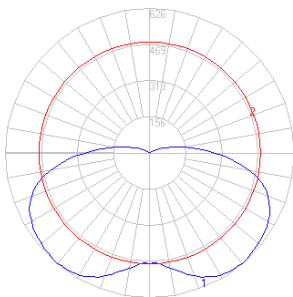
## MOUNTING OPTIONS



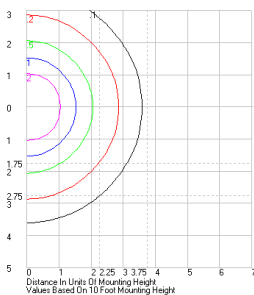
## PHOTOMETRICS

BS400LEDHTLOWT40120-277V

POLAR CURVES

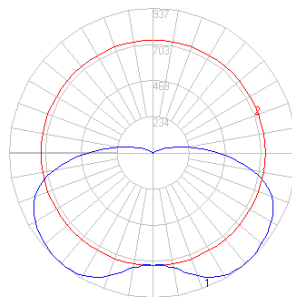


ISOLINES

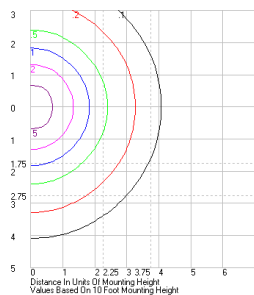


BS400LEDHTMOWT40120-277V

POLAR CURVES

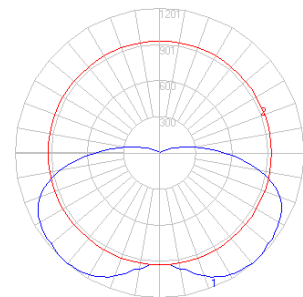


ISOLINES

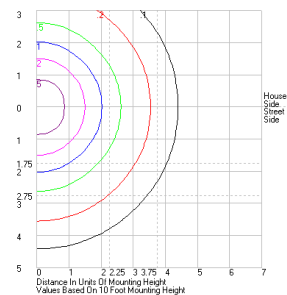


BS400LEDHTHOWT40120-277V

POLAR CURVES



ISOLINES



# LEDLUMINA BS400LED

ADDITIONAL INFORMATION

## ENERGY CHART

MODEL	EFFICACY	CONSUMPTION WATTAGE	LUMEN OUTPUT	CRI	L70 (HRS) TESTED
BS400LED-HT-LO-WT30-120-277V	119 lm/W	30	3571	>80	>60,000
BS400LED-HT-LO-WT40-120-277V	125 lm/W	30	3753	>80	>60,000
BS400LED-HT-LO-WT50-120-277V	126 lm/W	30	3779	>80	>60,000
BS400LED-HT-MO-WT30-120-277V	119 lm/W	45	5358	>80	>60,000
BS400LED-HT-MO-WT40-120-277V	125 lm/W	45	5632	>80	>60,000
BS400LED-HT-MO-WT50-120-277V	126 lm/W	45	5671	>80	>60,000
BS400LED-HT-HO-WT30-120-277V	115 lm/W	60	6880	>80	>60,000
BS400LED-HT-HO-WT40-120-277V	121 lm/W	60	7233	>80	>60,000
BS400LED-HT-HO-WT50-120-277V	121 lm/W	60	7282	>80	>60,000

## ASYMMETRIC DISTRIBUTION PERFORMANCE

MODEL	EFFICACY	CONSUMPTION WATTAGE	LUMEN OUTPUT	CRI	L70 (HRS) TESTED
BS400LED-HT-LO-WT30-120-277V	111 lm/W	30	3343	>80	>60,000
BS400LED-HT-LO-WT40-120-277V	117 lm/W	30	3515	>80	>60,000
BS400LED-HT-LO-WT50-120-277V	118 lm/W	30	3539	>80	>60,000
BS400LED-HT-MO-WT30-120-277V	111 lm/W	45	5016	>80	>60,000
BS400LED-HT-MO-WT40-120-277V	117 lm/W	45	5272	>80	>60,000
BS400LED-HT-MO-WT50-120-277V	118 lm/W	45	5309	>80	>60,000
BS400LED-HT-HO-WT30-120-277V	108 lm/W	60	6456	>80	>60,000
BS400LED-HT-HO-WT40-120-277V	113 lm/W	60	6786	>80	>60,000
BS400LED-HT-HO-WT50-120-277V	114 lm/W	60	7282	>80	>60,000

## ELECTRICAL RATING

PRODUCT	NOMINAL POWER (W)	AC CURRENT (A)		FREQUENCY (HZ)	DC VOLTAGE (V)	DC CURRENT (MA)
		120 V	277 V			
BS400LED-HT-LO	30	0.26	0.11	50/60	36	800
BS400LED-HT-MO	45	0.38	0.17	50/60	33	1200
BS400LED-HT-HO	60	0.51	0.22	50/60	34	1550

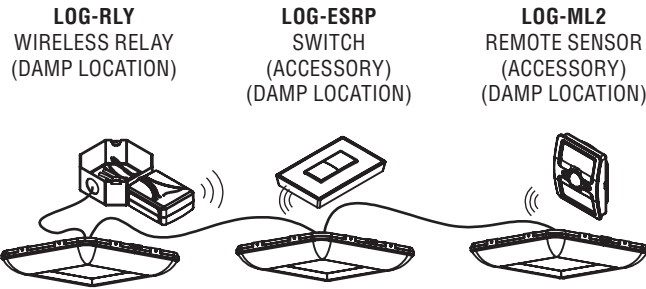
## DIMMER COMPATIBILITY

DIMMER	COMPATABILITY	
	ON/OFF	DIMMING
LEVITON - AWRMG-7	YES	YES
LUTRON - DIVA - DVSTV	YES	YES

■ **WARRANTY:** 5 years, see website for full warranty details.

## LOGICA (WIRELESS & POWERLESS LIGHTING CONTROL SOLUTIONS)

### DAISY CHAIN FIXTURES (RLYL)



### INTEGRATED NODE (NODL)

<p>LOG-10V12 / DRD NODE 0-10V/DALI (INTEGRATED)</p>	<p>LOG-ESRP SWITCH (ACCESSORY) (DAMP LOCATION)</p>	<p>LOG-ML2 REMOTE SENSOR (ACCESSORY) (DAMP LOCATION)</p>
---	--	--



FOR DETAILS PLEASE SEE LIGHTING CONTROL SOLUTION CONFIGURATION.

### INTEGRATED NODE & SENSOR (IOSL)

<p>LOG-ML10V / MLD NODE &amp; SENSOR (INTEGRATED)</p>	<p>LOG-ESRP SWITCH (ACCESSORY) (DAMP LOCATION)</p>
---	--

