

LEDLUMINA

LED | WET | IP66 | IK09

LOGICA®

TITLE 20 TITLE 24



BS400LEDPLUS - HIGH BAY

- The **LEDLUMINA BS400LEDPLUS** is a modern, energy saving solution that is scalable to your project.
- The **LEDLUMINA BS400LEDPLUS** features an installation bracket, quick connect installation, and stainless steel hardware.
- **HOUSING:** High grade die-cast aluminum with gray powder coat finish.
- **DIFFUSER:** Frosted UV stabilized polycarbonate diffuser, providing even light distribution.
- **LUMENS:** LO (80W): 10,110 up to 10,815 lm (*EM: 2190 lm*)
MO (100W): 12,225 up to 13,077 lm (*EM: 2190 lm*)
- **OPERATING TEMPERATURE:**

HT (AC only)	EM (Emerg. backup remote)
-40°F to 122°F	32°F to 122°F
- **WEIGHT:** 14 lbs / 6.3 kg



APPLICATION: The **LEDLUMINA BS400LED PLUS** has been specifically designed for parking garage entrance and exit applications. It's also ideal for other applications including retail stores, industrial installations, warehouses, breezeways, canopies, schools and much more. It can be installed both indoor and outdoor.

CONFIGURATIONS

MODEL	OPERATION	OUTPUT	COLOR TEMP	INPUT	MOUNTING	OPTIONS
BS400LEDPLUS	HT (AC only)	LO	WT30 (3000K)	120-277V	SM ¹ (surface mount)	EM ⁴ (emergency back-up remote)
		MO	WT40 (4000K)	347V	AC ² (aviation cable)	FP (fuse protection - 3A)
			WT50 (5000K)	480V	CH ³ (chain hang kit)	SP (surge protector - 10KA)
					PK ³ (pendant kit)	NODL ⁵ (integrated node - LOGICA)
					SVLPK ³ (swivel pendant kit)	IOSL ⁵ (internal occupancy sensor - LOGICA)
					TM (trunnion mount)	RLYL ⁵ (wireless relay - LOGICA)

NOTE 1: Surface mount is standard.

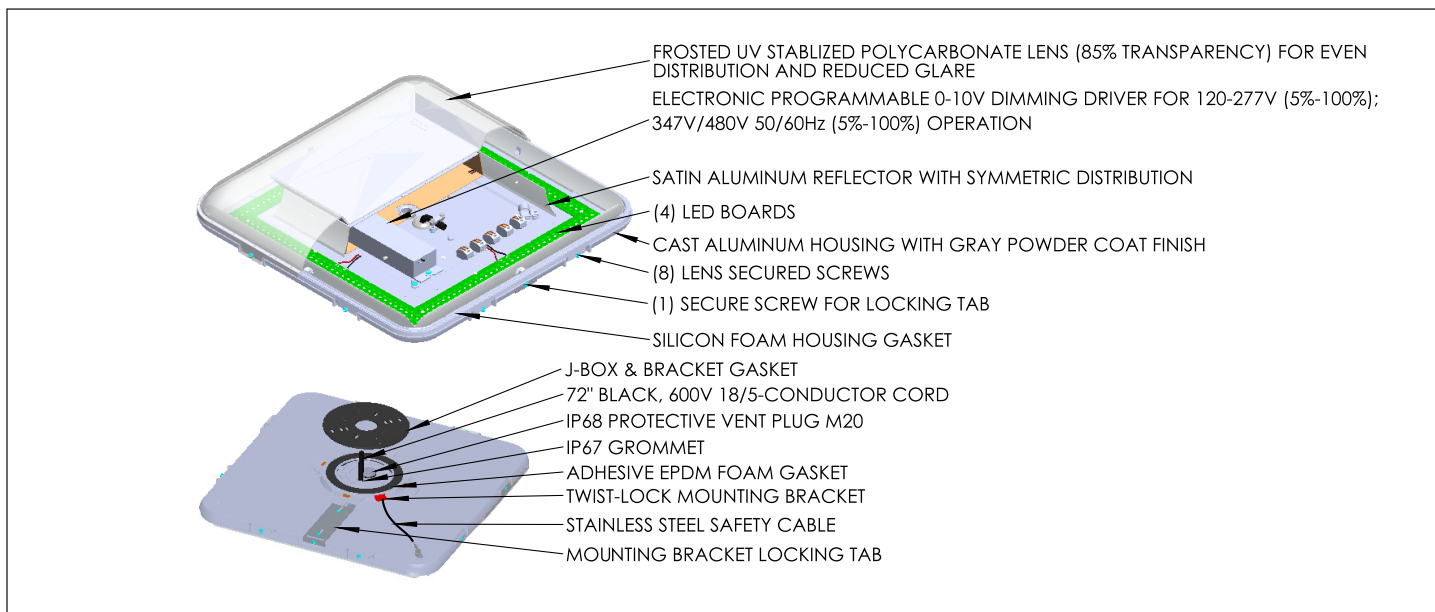
NOTE 2: Specify length for AC: 50", 72", 100", 150", 250", field adjustable otherwise.

NOTE 3: Specify length for CH, PK, SVLPK: 12", 24", 36", 48" fully adjustable.

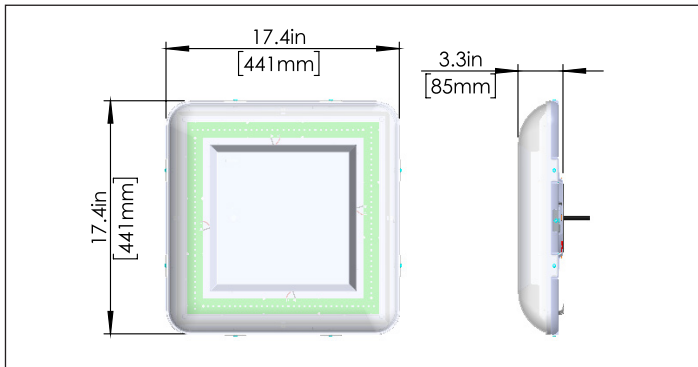
NOTE 4: Title 20 field installation remote mounted emergency pack (120-277V); 17W; 2190 lm.

NOTE 5: Logica (Beggelli wireless and powerless control solutions). IOSL is wet location. Contact factory for more details.

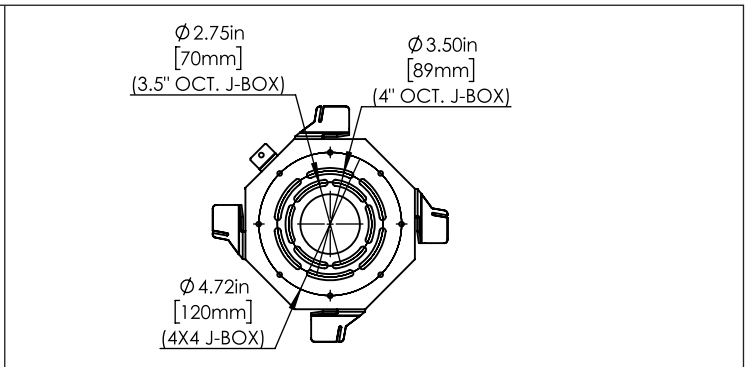
TECHNICAL INFORMATION



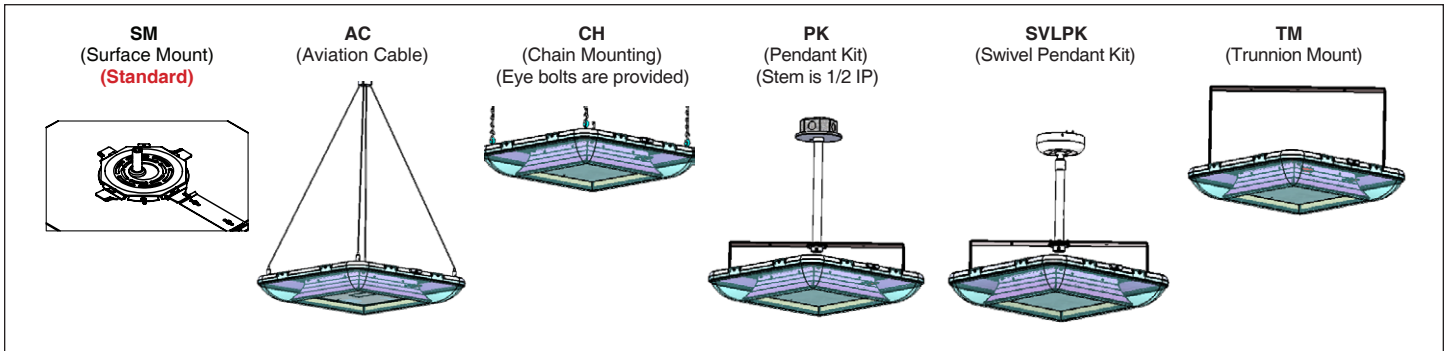
DIMENSIONS



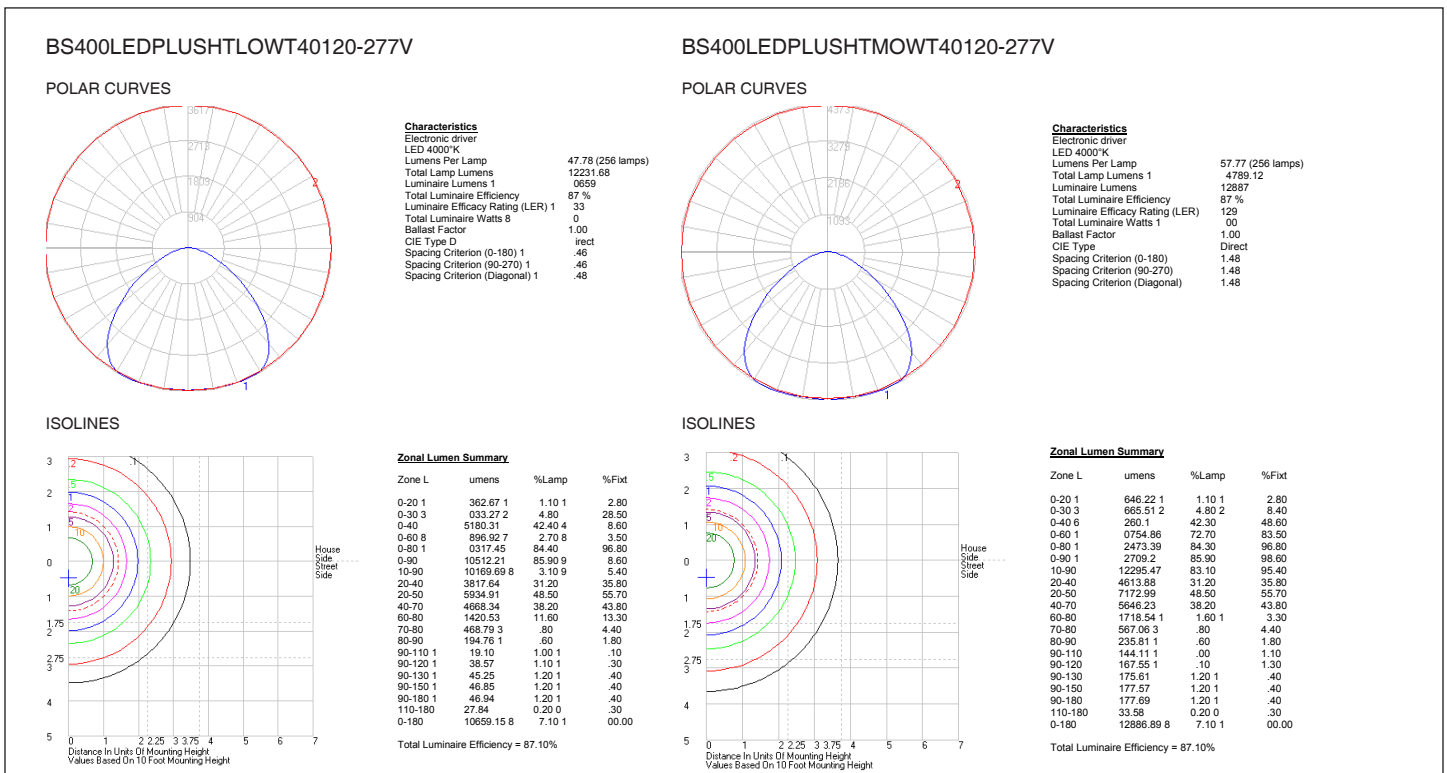
SURFACE MOUNTING (STANDARD WITH BRACKET)



MOUNTING OPTIONS



PHOTOMETRICS



LEDLUMINA BS400LEDPLUS

ADDITIONAL INFORMATION

ELECTRICAL RATING




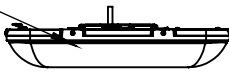

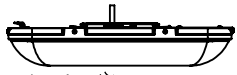

DIMMER COMPATIBILITY

PRODUCT	NOMINAL POWER (W)	AC CURRENT (A)		FREQUENCY (HZ)	DC VOLTAGE (V)	DC CURRENT (MA)	DIMMER	COMPATABILITY	
		120V	277V					ON / OFF	DIMMING
BS400LEDPLUS-HT-LO	80	0.68	0.29	50/60	44	1.6	LEVITON - AWRMG-7	YES	YES
BS400LEDPLUS-HT-MO	100	0.85	0.37	50/60	44	2.0	LUTRON - DIVA DVSTV	YES	YES

ENERGY CHART

MODEL	EFFICACY	CONSUMPTION WATTAGE	LUMEN OUTPUT	CRI	L70 (hrs.)
BS400LEDPLUS-HT-LO-WT30-120-277V	126 lm/W	80	10110	>80	>60,000
BS400LEDPLUS-HT-LO-WT40-120-277V	133 lm/W	80	10659	>80	>60,000
BS400LEDPLUS-HT-LO-WT50-120-277V	135 lm/W	80	10815	>80	>60,000
BS400LEDPLUS-HT-MO-WT30-120-277V	122 lm/W	100	12225	>80	>60,000
BS400LEDPLUS-HT-MO-WT40-120-277V	129 lm/W	100	12887	>80	>60,000
BS400LEDPLUS-HT-MO-WT50-120-277V	131 lm/W	100	13077	>80	>60,000

LOGICA (WIRELESS & POWERLESS LIGHTING CONTROL SOLUTIONS)

DAISY CHAIN FIXTURES (RLYL)		INTEGRATED NODE (NODL)	
<p>LOG-RLYL WIRELESS RELAY (WET LOCATION)</p>  <p>WIRELESS RELAY (WET LOCATION)</p> <p>LOG-ML2L REMOTE SENSOR (ACCESSORY) (DAMP LOCATION)</p> 	<p>LOG-ESRPL SWITCH (ACCESSORY) (DAMP LOCATION)</p> 	<p>LOG-10V12L / DRDL (NODE 0-10V/DALI)</p> <p>NODE</p> 	<p>LOG-ESRPL SWITCH (ACCESSORY) (DAMP LOCATION)</p> 
<p>FOR DETAILS PLEASE SEE LIGHTING CONTROL SOLUTION CONFIGURATION. FOR LOGICA APPLICATIONS CONTACT FACTORY FOR LAYOUT AND SUITABLE SOLUTION.</p>			
INTEGRATED NODE & SENSOR (IOSL)			
<p>LOG-ML10V/MLD NODE & SENSOR (INTERNAL)</p>  <p>(wet location) (ON LENS)</p>		<p>LOG-ESRPL SWITCH (ACCESSORY) (DAMP LOCATION)</p> 	

■ **WARRANTY:** 10 years, see website for full warranty details.