

# BOXLED® MINI

NEMA 4X | IP66 | IK09

3G  
Vibration  
Rated

LOGICA®

SANITATION

TITLE  
24

ETL  
Intertek

SP  
US

## LOWBAY

- **BOXLED®MINI** Lowbay luminaire for commercial and industrial applications.
- **OPTICS:** Polished aluminum reflector with symmetric or asymmetric distribution. Unit can be field changed from symmetric to asymmetric. 4mm thick prismatic tempered glass lens provides optimized light distribution for a visually comfortable and glare free environment.
- The **BOXLED® MINI** is a wet location, IP66, NEMA 4X rated luminaire. Heavy duty die-cast aluminum construction provides corrosion, flame and chemical resistance. The 3G rating makes this ideal for constant vibration applications.
- **PERFORMANCE:**
  - LO:** 2,084 up to 2,257 lm
  - MO:** 3,074 up to 3,328 lm
  - HO:** 4,051 up to 4,387 lm
- **OPERATING TEMP:**
  - HT (AC Only) -22°F to 104°F (-30°C to 40°C)
- **WEIGHT:** 2.6 lbs / 1.17 kg



**APPLICATION:** The **BOXLED® MINI** is ideal for damp or wet installations including loading docks, signage, car wash, agriculture, service corridors, landscape and marinas.

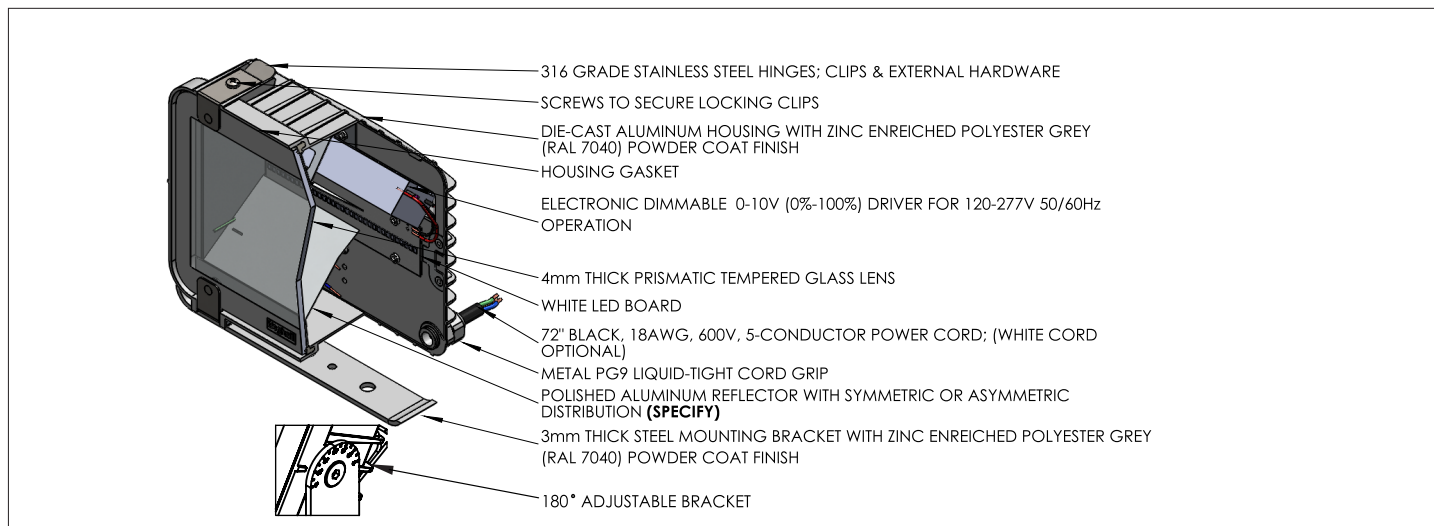
### CONFIGURATIONS

MODEL	OPERATION	OUTPUT	DISTRIBUTION	COLOR TEMP	INPUT	MOUNTING	OPTIONS
BL716LED	HT	LO	SYM <sup>1</sup> (symmetric)	WT30 (3000K)	120-277V	SM <sup>2</sup> (surface mount)	FP (fuse protection - 3A)
		MO	ASY <sup>1</sup> (asymmetric)	WT40 (4000K)		AC <sup>3</sup> (aviation cable)	SP (surge protector - 10KA)
		HO		WT50 (5000K)		CH (chain hang kit)	LOG <sup>6</sup> (logica wireless solutions)
						PK <sup>5</sup> (pendant kit)	
						SVLPK <sup>5</sup> (swivel pendant kit)	
						HK (hook mount)	

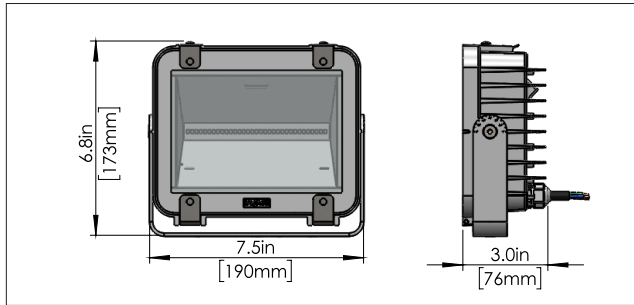
NOTE 1: Both symmetric & asymmetric reflectors included for in-field distribution changes.  
 NOTE 2: Surface mount is standard.  
 NOTE 3: Specify length for AC: 50", 72", 100", 150", 250"; otherwise field adjustable.  
 NOTE 4: Specify length for CH: 12", 24", 36", 48", specify for others.

NOTE 5: Specify length for PK: 12" 24", 48", specify for others.  
 NOTE 6: Logica (Beggelli wireless and powerless control solutions). Contact factory for more details.

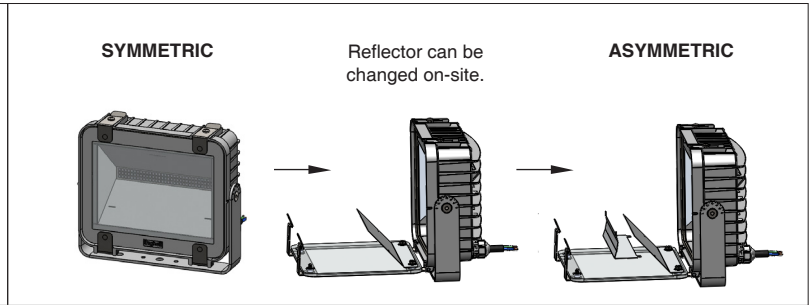
### TECHNICAL INFORMATION



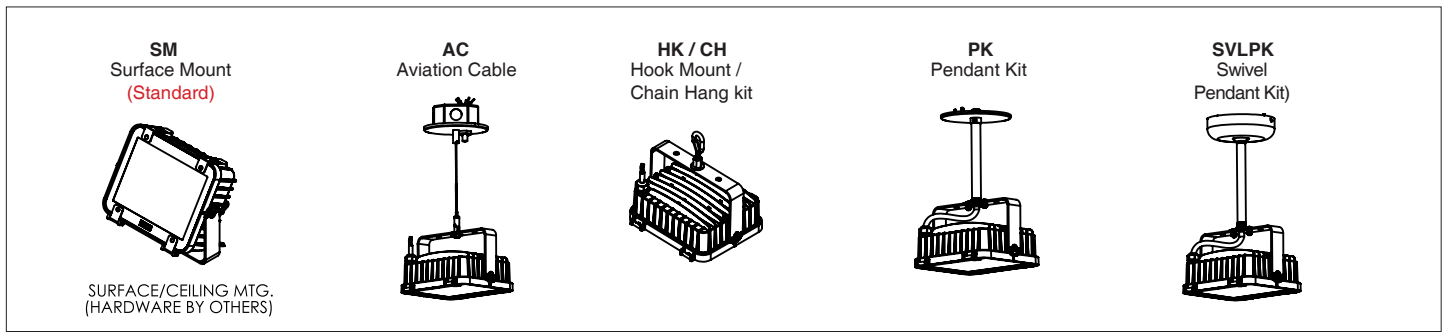
**DIMENSIONS**



**DISTRIBUTION**



**MOUNTING OPTIONS**



**PHOTOMETRICS**

**BL716LEDHTLOWT40120-277V/347V/480V**

**POLAR CURVES**

**Characteristics**  
 Electronic driver  
 LED 4000°K  
 Lumens Per Lamp  
 Total Lamp Lumens  
 Luminaire Lumens  
 Total Luminaire Efficiency  
 Luminaire Efficacy Rating (LER)  
 Total Luminaire Watts  
 Ballast Factor  
 CIE Type  
 Basic Luminous Shape  
 Luminous Length (0-180)  
 Luminous Width (90-270)  
 Luminous Height

N.A. (absolute)  
 N.A. (absolute)  
 3200  
 30  
 107  
 30  
 1.00  
 Direct  
 Rectangular  
 0.53 ft  
 0.61 ft  
 0.24 ft

**ISOLINES**

**Zonal Lumen Summary**

Zone	Lumens	%Lamp	%Fixt
0-20	526.33	N.A.	16.40
0-30	1195.42	N.A.	37.40
0-40	1896.48	N.A.	62.40
0-60	3010.2	N.A.	94.10
0-80	3193.54	N.A.	99.80
0-90	3200.48	N.A.	100.00
10-90	3072.92	N.A.	96.00
20-40	1470.15	N.A.	45.90
20-50	2123.69	N.A.	66.40
40-70	1154.63	N.A.	36.10
60-80	183.34	N.A.	5.70
70-80	42.43	N.A.	1.30
80-90	6.95	N.A.	0.20
90-110	0.01	N.A.	0.00
90-120	0.01	N.A.	0.00
90-130	0.01	N.A.	0.00
90-150	0.01	N.A.	0.00
90-180	0.01	N.A.	0.00
110-180	0.00	N.A.	0.00
0-180	3200.49	N.A.	100.00

**BL716LEDHTHOASYWT40120-277V/347V/480V**

**POLAR CURVES**

**Characteristics**  
 Electronic driver  
 LED 4000°K  
 Lumens Per Lamp  
 Total Lamp Lumens  
 Luminaire Lumens  
 Total Luminaire Efficiency  
 Luminaire Efficacy Rating (LER)  
 Total Luminaire Watts  
 Ballast Factor  
 CIE Type  
 Basic Luminous Shape  
 Luminous Length (0-180)  
 Luminous Width (90-270)  
 Luminous Height

N.A. (absolute)  
 N.A. (absolute)  
 2971  
 30  
 99  
 30  
 1.00  
 Direct  
 Rectangular  
 0.53 ft  
 0.61 ft  
 0.24 ft

**ISOLINES**

**Zonal Lumen Summary**

Zone	Lumens	%Lamp	%Fixt
0-20	408.85	N.A.	13.80
0-30	928.07	N.A.	31.20
0-40	1608.2	N.A.	54.10
0-60	2727.79	N.A.	91.80
0-80	2963.13	N.A.	99.70
0-90	2971.05	N.A.	100.00
10-90	2869.42	N.A.	96.60
20-40	1199.36	N.A.	40.40
20-50	1874.04	N.A.	63.10
40-70	1302.53	N.A.	43.80
60-80	235.34	N.A.	7.90
70-80	52.40	N.A.	1.80
80-90	7.92	N.A.	0.30
90-110	0.01	N.A.	0.00
90-120	0.01	N.A.	0.00
90-130	0.01	N.A.	0.00
90-150	0.01	N.A.	0.00
90-180	0.01	N.A.	0.00
110-180	0.00	N.A.	0.00
0-180	2971.06	N.A.	100.00

**ELECTRICAL RATING**

**DIMMER COMPATIBILITY**

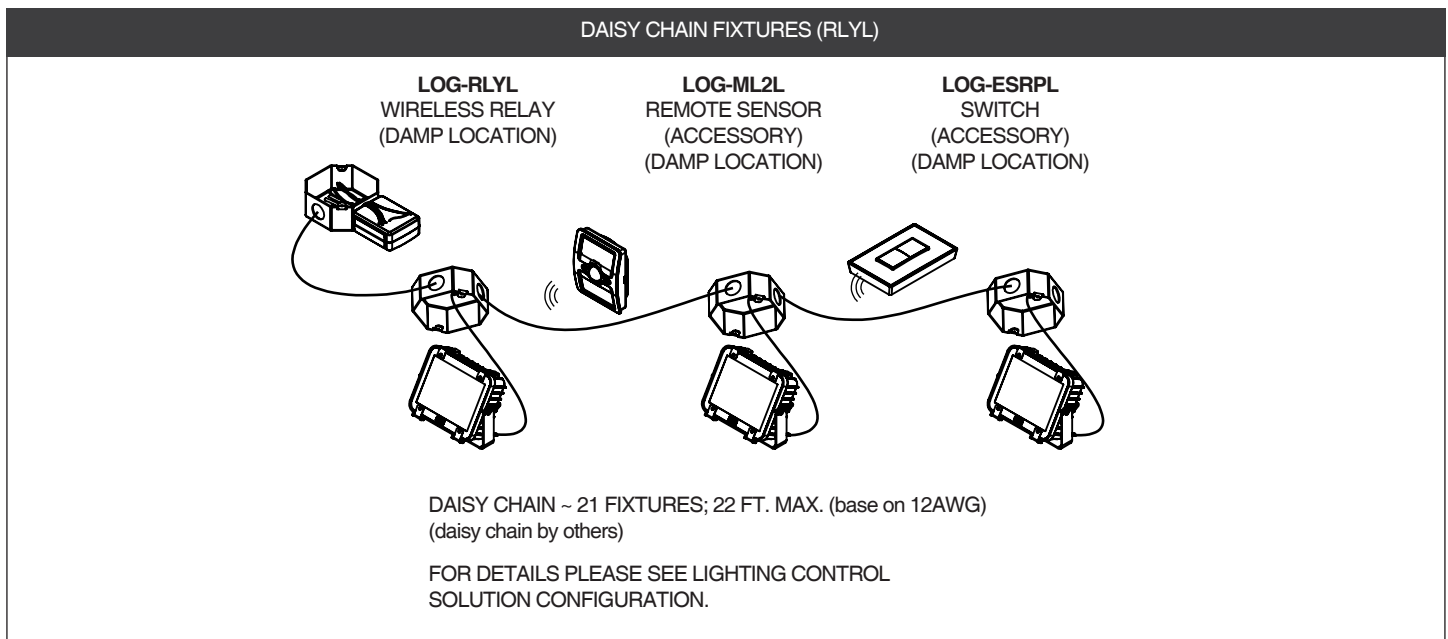
PRODUCT	NOMINAL POWER (W)	AC CURRENT (A)		FREQUENCY (HZ)	DC VOLTAGE (V)	DC CURRENT (MA)
		120V	277V			
BL716LED-HT-LO	20	0.17	0.07	50/60	35	500
BL716LED-HT-MO	30	0.26	0.11	50/60	37	700
BL716LED-HT-HO	40	0.34	0.15	50/60	33	1000

DIMMER	COMPATABILITY	
	ON / OFF	DIMMING
LEVITON - AWRMG - 7	YES	YES
LUTRON - DIVE - DVSTV	YES	YES
LUTRON - DIVE - DVTV	YES	YES
WATT STOPPER DCLV1	YES	YES

**ENERGY CHART**

MODEL	EFFICACY	CONSUMPTION WATTAGE	LUMEN OUTPUT	CRI	L70 (hrs.)
BL716LED-HT-LO-WT30-120-277V	104 lm/W	20	2084	>80	>60,000
BL716LED-HT-LO-WT40-120-277V	109 m/W	20	2170	>80	>60,000
BL716LED-HT-LO-WT50-120-277V	113 lm/W	20	2257	>80	>60,000
BL716LED-HT-MO-WT30-120-277V	102 lm/W	30	3074	>80	>60,000
BL716LED-HT-MO-WT40-120-277V	107 lm/W	30	3200	>80	>60,000
BL716LED-HT-MO-WT50-120-277V	111 lm/W	30	3328	>80	>60,000
BL716LED-HT-HO-WT30-120-277V	101 lm/W	40	4051	>80	>60,000
BL716LED-HT-HO-WT40-120-277V	105 lm/W	40	4051	>80	>60,000
BL716LED-HT-HO-WT50-120-277V	110 lm/W	40	4387	>80	>60,000

**LOGICA (WIRELESS & POWERLESS LIGHTING CONTROL SOLUTIONS)**



■ **WARRANTY:** 5 year warranty, see website for full warranty details.