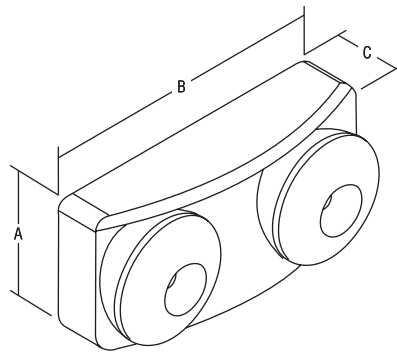


Job/Location: _____
 Contractor: _____ Job Type: _____
 Prepared By: _____ Date: _____



Series	A	B	C
BBY	5 ^{1/2} " (140mm)	12 ^{1/8} " (310mm)	3 ^{3/4} " (102mm)

■ specifications: internal

The BBY is configured with 120/277V input with solid state charging circuitry. Standard features include low voltage disconnect, AC lockout and brownout protection.

■ specifications: external

The BBY is constructed from high quality corrosion and UL-940V-0 flame resistant thermoplastic. White finish is standard. The semi-recessed MR16 emergency lighting heads are positioned in a gimbal style assembly. Universal mounting bracket for wall or ceiling installations. External test switch and monitor LED are standard.

■ emergency heads

Two (2) 5.4W MR16 lamps are standard. Gimbal design allows for precise adjustment of the heads.

■ specifications: electrical

BATTERY: The BBY is supplied with a sealed, maintenance-free, valve regulated 6V 4.5Ah lead calcium battery that provides a minimum emergency duration of 90 minutes. Recharge time of the battery is twenty-four (24) hours. The maximum working temperature is 45°C. The minimum working temperature is 10°C.

■ ordering logic

Series	Lamp
BBY	25MR (6V 5.4W)

■ specifications: mechanical

The BBY features a gimbal design allowing precise adjustment of the lamps. An innovative snap together design and white injection molded thermoplastic housing make it durable and easy to install.

■ warranty

The BBY comes with a 3-year factory warranty. Lamps are not covered under the warranty. Deliberate damage, misuse, improper installation effectively cancel the warranty.

EXAMPLE: BBY-25MR
 DESCRIPTION: emergency only, 6V 5.4W MR16, white housing