

# ACCIAIO® 920

WET | IP66 | IK09 | NEMA 4X **SANITATION** **TITLE TITLE 20 24** **DLC** **SP** **US**

## BX920LED

- **ACCIAIO® BX920LED** is an industrial grade lighting solution that features easily upgradeable technology, convenient installation and a robust design that is ideal for most commercial and light industrial applications.
- **HOUSING:** 24 gauge steel construction with die-cast aluminum endcaps. Finished with zinc enriched polyester powder coat grey (RAL7040) or white (RAL9006). Optional 24 gauge stainless steel housing is available.
- **DIFFUSER:** Impact resistant 4mm frosted polycarbonate diffuser with pressed silicone gasket is integrated into the housing for optimal ingress protection. An optional 4mm prismatic tempered glass diffuser is available.
- **LUMENS** LO: 6900 up to 7300 lm  
HO: 11,000 up to 11,700 lm
- **INTERNAL:** 0-10V dimming driver (1% - 100%), 120-277V or 347-480V input. Dual mid-power white LED, >80CRI. All components mounted to a 22 gauge steel reflector with white powder coat finish. Optional integrated emergency pack provides 1463 lumens during power failure.
- **OPERATING TEMP:**  
HT (AC Only) -40°C to 40°C (-40°F to 104°F).  
SA (AC & EM) 0°C to 35°C (32°F to 95°F).
- **WEIGHT:** 17 lbs / 7.7 kg



**APPLICATION:** The ACCIAIO® BX920LED is a versatile luminaire ideal for a wide range of applications including: warehouses, parking decks, breezeways, canopies, service corridors, loading docks, farms, car washes and pool areas.

### CONFIGURATIONS

MODEL	LENGTH	OPERATION	OUTPUT	COLOR TEMP	INPUT	MOUNTING	OPTIONS
BX920LED	4 (ft)	HT (AC only) SA <sup>1</sup> (AC & EM)	LO HO	WT30 (3000K) WT40 (4000K) WT50 (5000K)	120-277V 347-480V	AC <sup>2</sup> (aviation cable) CH <sup>3</sup> (chain hang kit) AM (aimable mount) SEISM (seismic bracket) PK <sup>4</sup> (pendant kit) TM (trunion mount) RM (row mount) CRM (continuous row)	D (dali) EOS <sup>5</sup> (sensors) EM <sup>6</sup> (remote field install) FP (fuse protection - 3A) LOG (Logica - contact factory) PGL (prismatic tempered glass lens) SP (surge protection - 10kA) SS (stainless steel) WHT (white housing) WG (wireguard)

NOTE 1: Emergency pack T20, 120-277V, 10W, 1463 lms

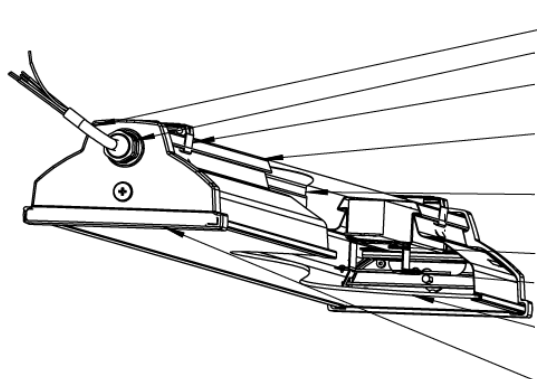
NOTE 2: Specify length for AC: 50", 72", 100", 150", 250", specify for others.

NOTE 3: Specify length for CH: 12", 24", 36", 48", specify for others.

NOTE 4: Specify length for PK: 12", 24", 48", specify for others. Stem length varies. J-box by others.

NOTE 5: CSMB 9, SBOR, FSP-221

NOTE 6: T20, 120-277V, 10W, 1305 lms



72" BLACK, 18AWG, 600V, 5-CONDUCTOR CORD

M20 LIQUID-TIGHT CORD GRIP

STAINLESS STEEL SURFACE MOUNTING CLIP (OTHER MOUNTING OPTIONS ARE AVAILABLE)

24 GA. STAINLESS STEEL HOUSING OR 24 GA. STEEL HOUSING WITH ZINC ENRICHED POLYESTER GREY (RAL7040) OR WHITE POWDER COATED FINISH

ELECTRONIC PROGRAMMABLE 0-10V DIMMING DRIVER FOR 120-277V (1%-100%) OR 347-480V (1%-100%) OPERATION (SYSTEM POWER CONSUMPTION 80W)

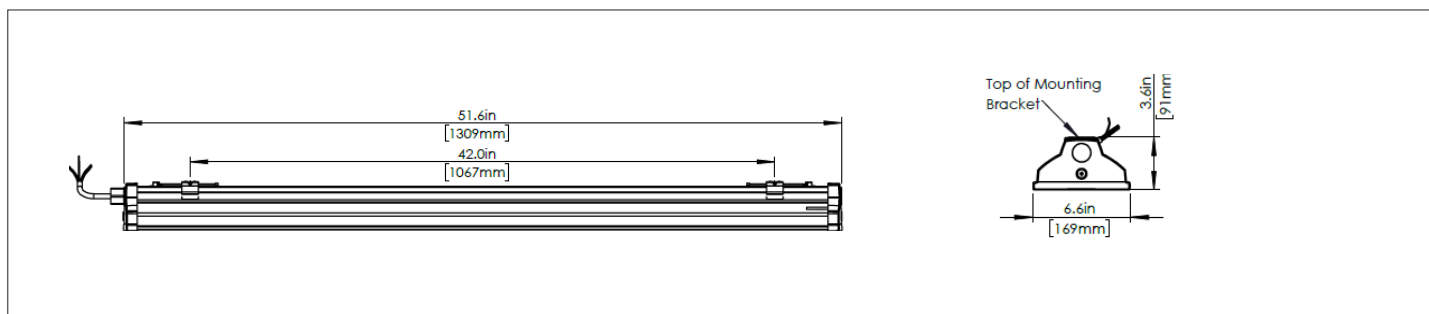
22 GA. STEEL REFLECTOR IN WHITE POWDER COAT FINISH

(2) MID-POWER WHITE LED PCB

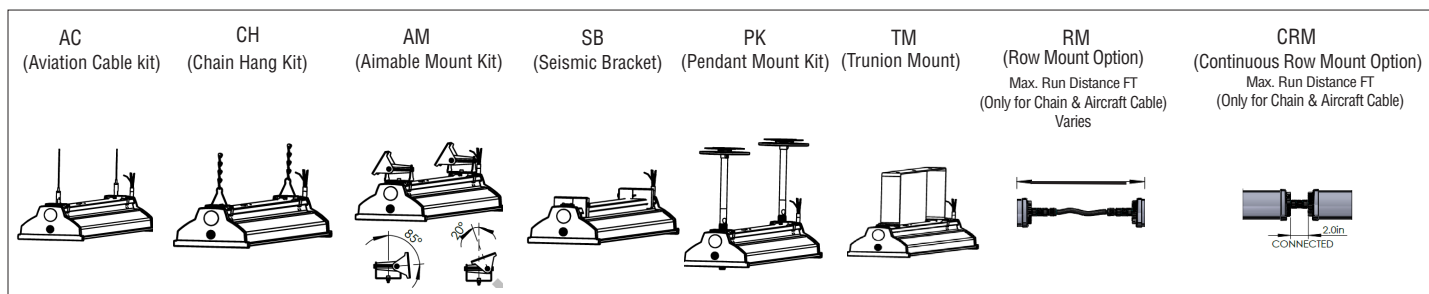
4mm FROSTED POLYCARBONATE LENS; SEALED WITH SILICONE GASKET (OPTIONAL TEMPERED GLASS DIFFUSER WITH MICRO-PRISMATIC LIGHT DISTRIBUTION)

DIE CAST ALUMINUM END CAP WITH SILICONE GASKET AND SECURED SCREW; WITH ZINC ENRICHED GREY (RAL7040) OR WHITE POWDER COATED FINISH

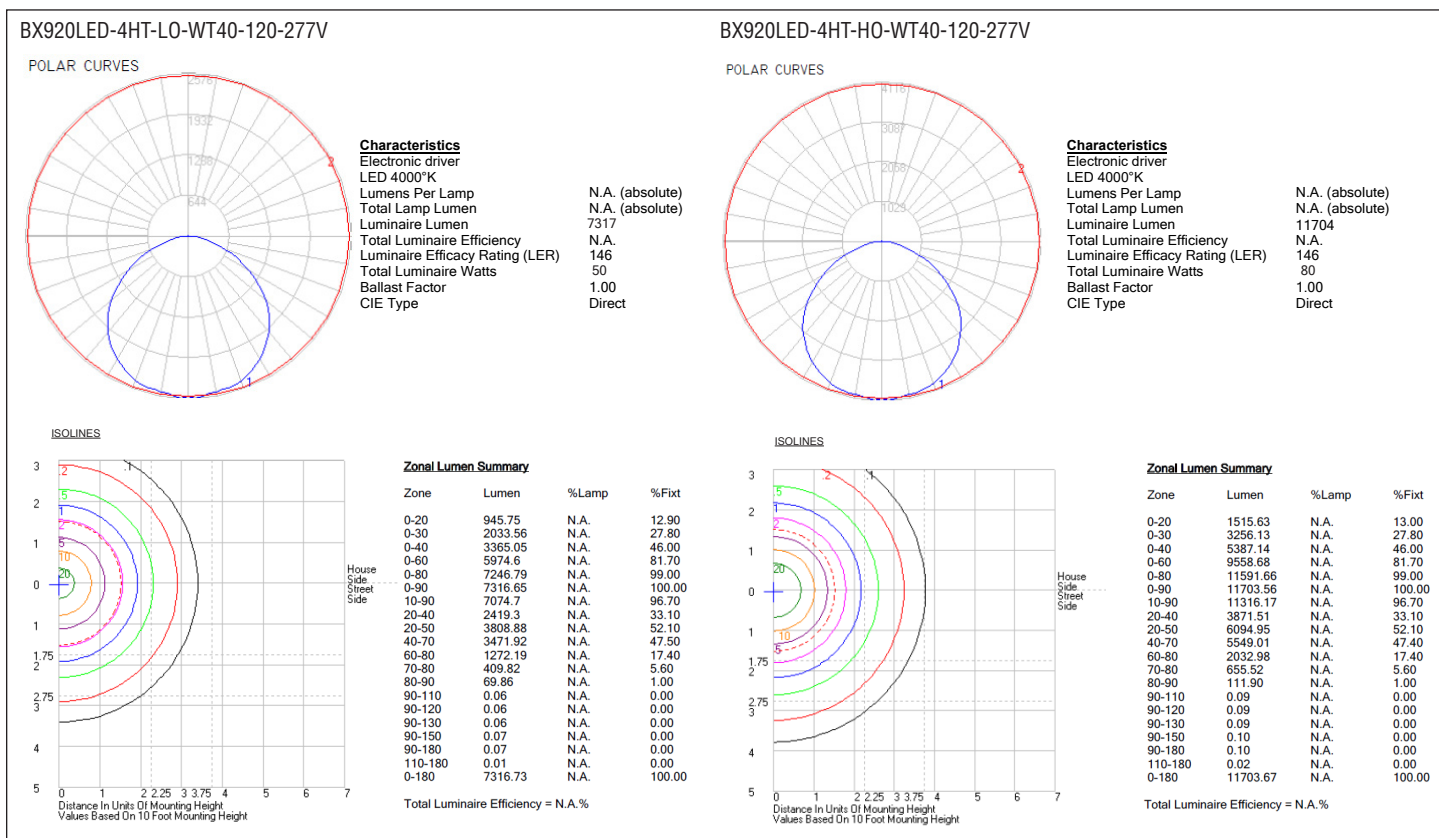
**DIMENSIONS**



**MOUNTING OPTIONS**



**DISTRIBUTION**



# BX920LED

## ENERGY CHART

MODEL	EFFICACY (Lumens/Watts)	CONSUMPTION WATTAGE (W)	LUMEN OUTPUT (LM)	CRI	L70 (hrs.)
BX920LED-4HT-LO-WT40-120-277V	138	50	6912-7317	>80	>100,000
BX920LED-4HT-HO-WT40-120-277V	146	80	11,065-11,704	>80	>100,000

## ELECTRICAL RATING

PRODUCT	NOMINAL POWER (W)	AC CURRENT (A)		FREQUENCY (HZ)	DC VOLTAGE (V)	DC CURRENT (MA)
		AC VOLTAGE 120V	AC VOLTAGE 277V			
BX920LED-4HT-LO	50	0.42	0.18	50/60	33	1000
BX920LED-4HT-HO	80	0.67	0.29	50/60	33	1600

## DIMMER COMPATIBILITY

DIMMER	COMPATIBILITY	
	ON / OFF	DIMMING
LEVITON - AWRMG - 7DW	YES	YES
LUTRON - IP710-DL	YES	YES
LUTRON - DVTV	YES	YES
WATT STOPPER - DCLV1	YES	YES

## LOGICA (WIRELESS & POWERLESS LIGHTING CONTROL SOLUTIONS)

DAISY CHAIN FIXTURES (RLY)	INTEGRATED NODE (NODL)
<p>LOG-RLYL WIRELESS RELAY (DAMP LOCATION) LOG-ML2L REMOTE SENSOR (DAMP LOCATION) LOG-ESRPL SWITCH (ACCESSORY) (DAMP LOCATION)</p> <p>(wet location)</p>	<p>LOG-10V12L/DRDL (0-10V OR DALI) (INTERNAL) LOG-ML2L REMOTE SENSOR (DAMP LOCATION) LOG-ESRPL SWITCH (ACCESSORY) (DAMP LOCATION)</p> <p>Maximum distance between sensor/switch and fixture 50FT for open space and 35FT for areas with walls</p>
EXTERNAL NODE (EOSL)	
<p>LOG-HBK010VL/HBKODL NODE &amp; SENSOR (0-10V OR DALI) (EXTERNAL) LOG-ESRPL SWITCH (ACCESSORY) (WET LOCATION)</p>	
<ul style="list-style-type: none"> <li>FOR DETAILS PLEASE SEE LIGHTING CONTROL SOLUTION CONFIGURATIONS</li> <li>FOR LOGICA APPLICATIONS CONTACT FACTORY FOR LAYOUT AND SUITABLE SOLUTION</li> </ul>	