

ACCIAIO® 910

WET | IP66 | IK09 | NEMA 4X  **TITLE 24** 

BX910LED

- **ACCIAIO® BX910LED** is an industrial grade vapor tight solution that features easily upgradeable technology, convenient installation and a robust design that is ideal for most commercial and light industrial applications.
- **HOUSING:** 24 gauge steel housing or optional 24 gauge stainless steel housing, zinc enriched polyester powder coat in grey (RAL7040) or white (RAL9004). Die-cast aluminum end caps.
- **DIFFUSER:** 4mm impact resistant frosted polycarbonate diffuser with a sealed perimeter silicone gasket for optimum ingress protection.
- **LUMENS:**

2FT	4FT
LO: 2600 up to 2700 lm	LO: 4100 up to 4400 lm
HO: 3900 up to 4100 lm	HO: 6900 up to 7300 lm
	VHO: 8300 up to 8800 lm
- **INTERNAL:** 0-10V dimming driver (1% - 100%), 120-277V or 347V input. Dual mid-power white LED, >80CRI. All components mounted to 24 gauge steel housing with white powder coat finish. Removable gear tray allows for convenient service & ability to upgrade performance.
- **OPERATING TEMP:** HT (AC Only) -40°C to 50°C (-40°F to 122°F). SA (AC & EM) 0°C to 35°C (32°F to 95°F).
- **WEIGHT:** 2FT: 5 lbs / 2.27 kg 4FT: 10 lbs / 4.54 kg



APPLICATION: The ACCIAIO® BX910LED is a versatile luminaire ideal for a wide range of applications including: warehouses, parking decks, breezeways, canopies, service corridors, loading docks, farms, car washes and pool areas.

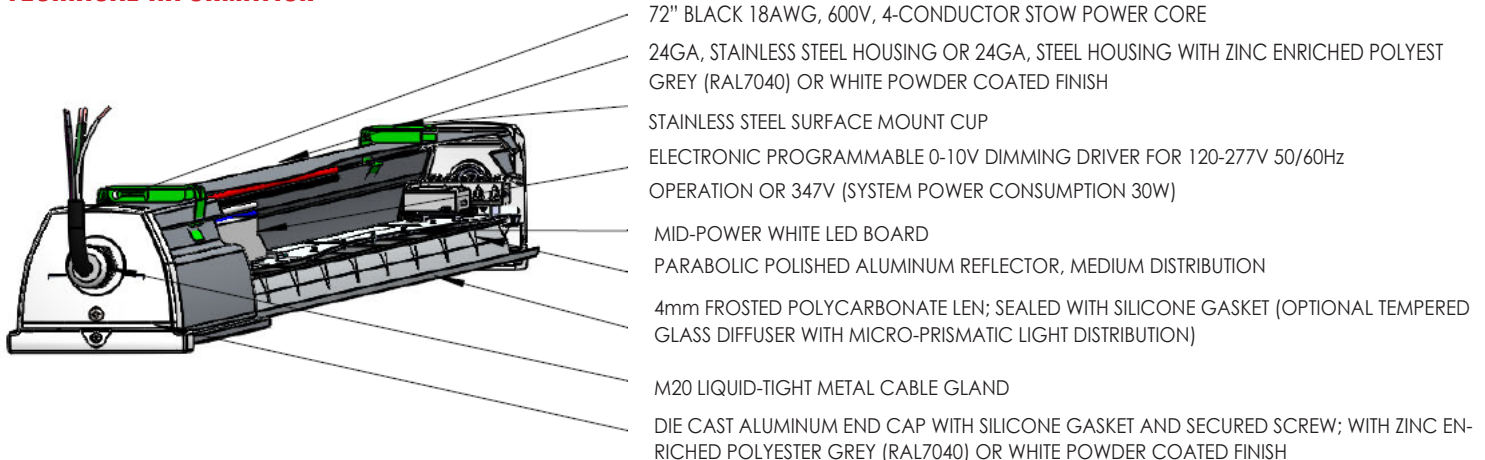
CONFIGURATIONS

MODEL	LENGTH	OPERATION	OUTPUT	COLOR TEMP	INPUT	MOUNTING	OPTIONS
BX910LED	2 (ft)	HT (AC only)	LO	WT30 (3000K)	120V-277V	AC ³ (aviation cable)	D (dali)
	4 (ft)	SA ¹ (AC & EM)	HO	WT40 (4000K)	347V	CH ⁴ (chain hang kit)	EM ⁷ (field installation remote mounted)
			VHO ²	WT50 (5000K)		PK ⁵ (pendant kit)	EOS (external occupancy sensor)
						AM (aimable mount)	FP (fuse protection - 3A)
						SEISM (seismic bracket)	SP (surge protection - 10KA)
						TM (trunion mount)	SS (stainless steel)
						RM ⁶ (row mount)	TGD ⁸ (tempered glass diffuser)
						CRM ⁶ (continuous row mount)	WHT (white housing)

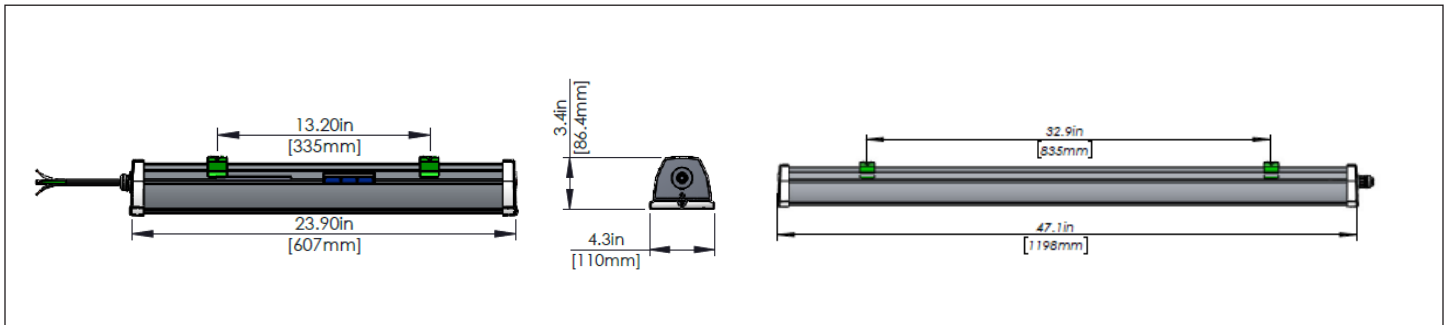
NOTE 1: Integrated Emergency Pack: T20, 120-277V; 10W, 1368 (2ft) + 1461 (4ft) lumens
 NOTE 2: VHO only available in 4ft.
 NOTE 3: Specify length for AC: 50", 72", 100", 150", 250" for other specify.
 NOTE 4: Specify length for CH: 12", 24", 36", 48" for other specify.
 NOTE 5: Specify length for PK: 12", 24", 48" for other specify.

NOTE 6: Maximum run distance 100ft. Only for chain & aircraft cable.
 NOTE 7: Field Installation Emergency Pack: T20, 120-277V, 10W, 1305 lumens
 NOTE 8: Tempered Glass Diffuser with Micro-Prismatic Light Distribution

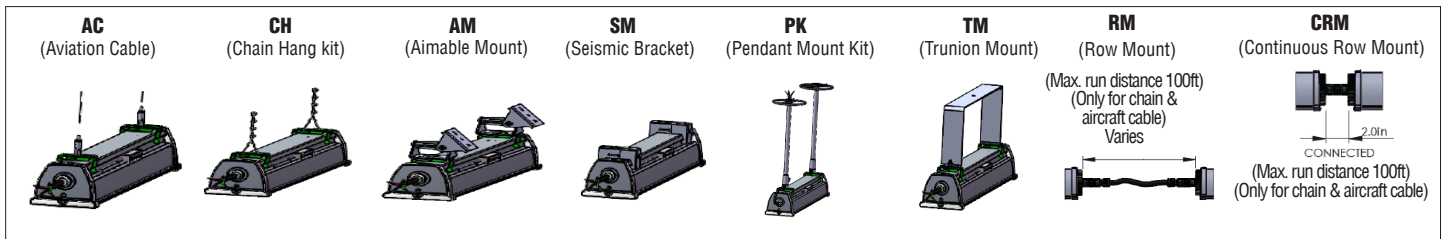
TECHNICAL INFORMATION



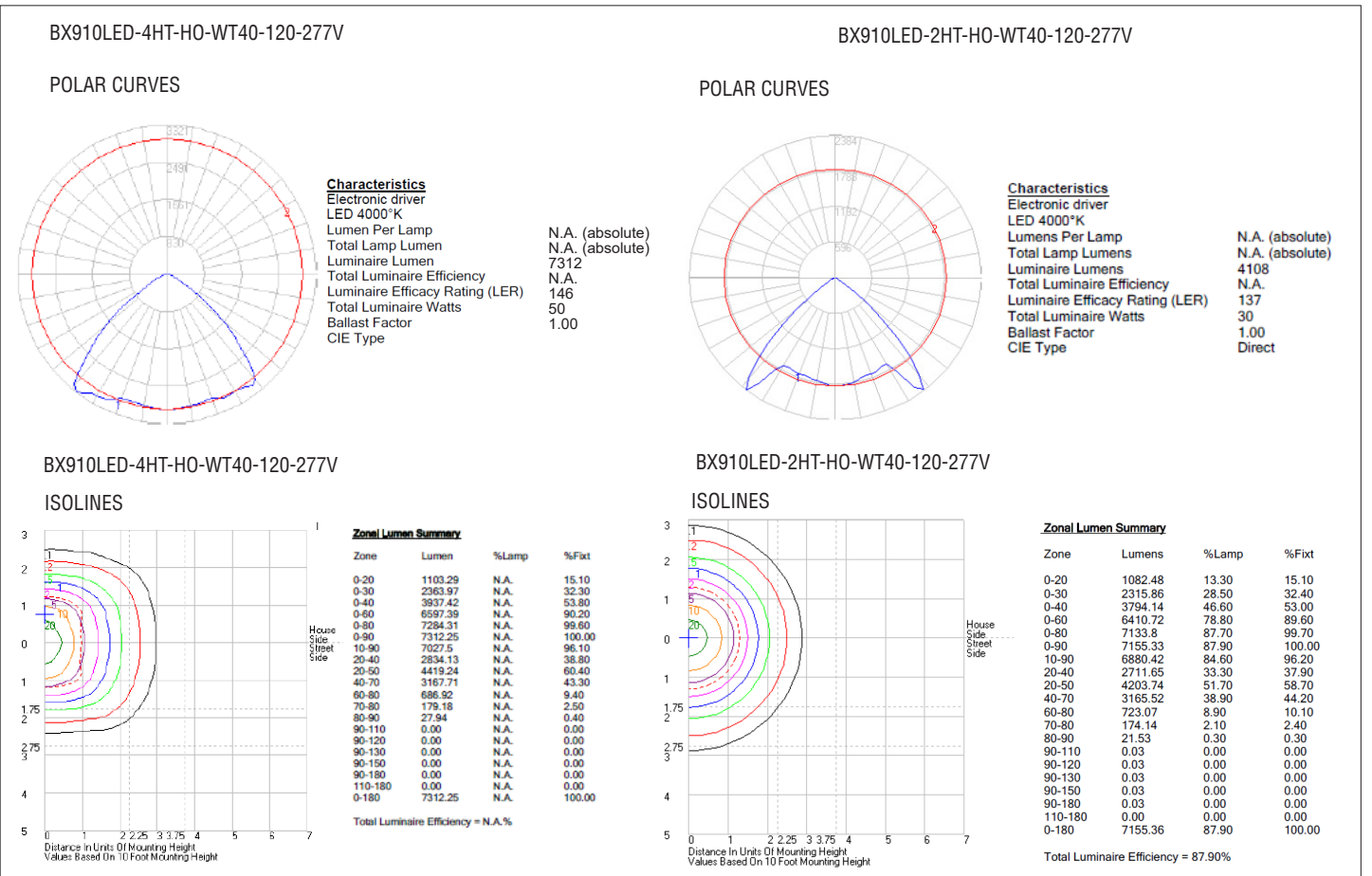
DIMENSIONS



MOUNTING OPTIONS



DISTRIBUTION



BX910LED

ENERGY CHART

MODEL	EFFICACY (Lumens/Watts)	CONSUMPTION WATTAGE (W)	LUMEN OUTPUT (LM)	CRI	L70 (hrs.)	L80 (hrs.)
2FT						
BX910LED-2HT-LO-WT30-120-277V	138	20	2585	>80	>100,000	>50,000
BX910LED-2HT-LO-WT40-120-277V	146	20	2736	>80	>100,000	>50,000
BX910LED-2HT-LO-WT50-120-277V	146	20	2736	>80	>100,000	>50,000
BX910LED-2HT-HO-WT30-120-277V	129	30	3878	>80	>100,000	>50,000
BX910LED-2HT-HO-WT40-120-277V	137	30	4108	>80	>100,000	>50,000
BX910LED-2HT-HO-WT50-120-277V	137	30	4108	>80	>100,000	>50,000
4FT						
BX910LED-4HT-LO-WT30-120-277V	125	30	4139	>80	>100,000	>50,000
BX910LED-4HT-LO-WT40-120-277V	135	30	4383	>80	>100,000	>50,000
BX910LED-4HT-LO-WT50-120-277V	143	30	4383	>80	>100,000	>50,000
BX910LED-4HT-HO-WT30-120-277V	138	50	6901	>80	>100,000	>50,000
BX910LED-4HT-HO-WT40-120-277V	146	50	7312	>80	>100,000	>50,000
BX910LED-4HT-HO-WT50-120-277V	146	50	7312	>80	>100,000	>50,000
BX910LED-4HT-VHO-WT30-120-277V	138	60	8286	>80	>100,000	>50,000
BX910LED-4HT-VHO-WT40-120-277V	146	60	8773	>80	>100,000	>50,000
BX910LED-4HT-VHO-WT50-120-277V	146	60	8773	>80	>100,000	>50,000

ELECTRICAL RATING

PRODUCT	NOMINAL POWER (W)	AC CURRENT (A) AC VOLTAGE			FREQUENCY (HZ)	DC VOLTAGE (V)	DC CURRENT (MA)
		120V	277V	480V			
2FT							
BX910LED-2HT-LO	30	0.25	0.11		50/60	33	550
BX910LED-2HT-HO	40	0.33	0.14		50/60	33	800
4FT							
BX910LED-4HT-LO	30	0.25	0.11	0.06	50/60	33	800
BX910LED-4HT-HO	50	0.42	0.18	0.10	50/60	33	1300
BX910LED-4HT-VHO	60	0.50	0.22	0.13	50/60	33	1600

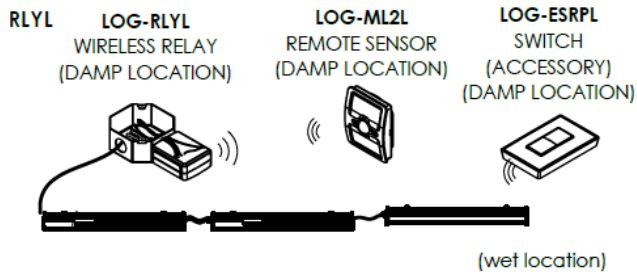
DIMMER COMPATIBILITY

DIMMER	COMPATABILITY	
	ON / OFF	DIMMING
2FT		
LEVITON - AWRMG - 7DW	YES	YES
LUTRON - IP710-DL	YES	YES
LUTRON - DVTV	YES	YES
WATT STOPPER - DCLV1	YES	YES
4FT		
LEVITON - AWRMG - 7DW	YES	YES
LUTRON - IP710-DL	YES	YES
LUTRON - DVTV	YES	YES
WATT STOPPER - DCLV1	YES	YES

BX910LED

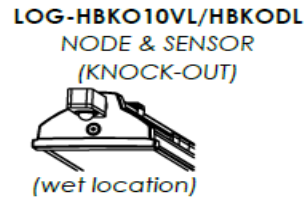
ADDITIONAL INFORMATION

DAISY CHAIN FIXTURES (RLYL)

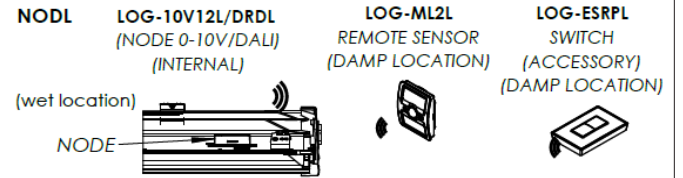


ROW MOUNT ~ 100 FEET MAX
(wiring by others base on 18AWG - 21 fixtures max.)

EXTERNAL NODE (EOSL)



INTEGRATED NODE (NODL)



Maximum distance between sensor/switch and fixture 50FT for open space and 35FT for areas with walls

- FOR DETAILS PLEASE SEE LIGHTING CONTROL SOLUTION CONFIGURATIONS
- FOR LOGICA APPLICATIONS CONTACT FACTORY FOR LAYOUT AND SUITABLE SOLUTION

■ **WARRANTY:** 7 year warranty, see website for full warranty details.