

Job/Location: _____	Job Name: _____
Specifier: _____	Date: _____
Prepared By: _____	

Die-Cast Aluminum Endcaps

24-GA Steel Housing



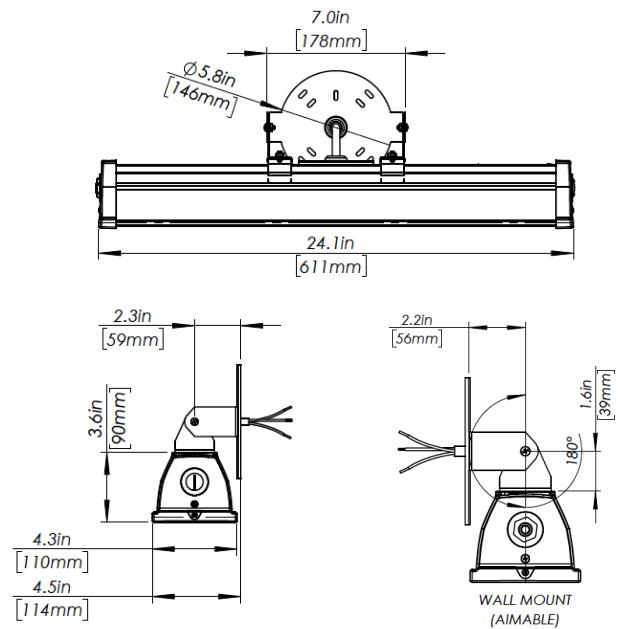
■ internal specifications

The ACCIAIO SE is a high output emergency solution that provides up to 1700 lumens. Configured with a three-wire 120-277V 50/60Hz input. Solid state microprocessor controlled circuitry includes line latch, brownout protection, battery and charge monitoring. The 9.6V, 16W, 3000mAh battery supplies 10 watts of emergency output for a minimum 90 minutes.

■ external specifications

The ACCIAIO SE is NEMA 4X rated and designed to perform in wet and dust-filled environments. The 24 gauge steel housing is powder coated (RAL7040) zinc enriched polyester grey or (RAL9003) white. The 4mm polycarbonate frosted diffuser features a pressed silicone gasket that is integrated into the housing for optimal ingress protection. Die cast aluminum endcaps are color matched and fully gasketed. 180 degree adjustable mount allows precise positioning. External test switch and monitor LED provide instant unit status.

■ dimensions (in,mm)



■ ordering logic

Series	Operation	Color Temp	Voltage	Options
BX910LED-2	SE (Emergency - AC fail only)	WT40 (4000K)	120-277V	AT (autotest)
				PGL (prismatic tempered glass lens)
				W (white finish)
				WG (wireguard)

NOTE 1: Standard unit in grey finish
NOTE 2: Standard mounting surface / wall direct to j-box

EXAMPLE: BX910LED-2-SE-WT40-120-277V
DESCRIPTION: ACCIAIO BX910, 2ft, emergency only, 4000K, 120-277V, grey finish

■ led technology

The **ACCIAIO SE** is illuminated with a mid-power 4000K board with an output efficacy of 173 lm/W. A high-efficiency LED emergency driver is used to maintain a constant output current to all LEDs. The **ACCIAIO SE** delivers 1729 lumens.

■ battery specifications

The **ACCIAIO SE** comes standard with a 9.6V, 16W, 3000mAh Ni-MH battery pack that provides a minimum of 90 minutes emergency duration. 10W power delivery after stabilization time of seven minutes. The maximum battery operating temperature is +95°F (+35°C) and the minimum is +32°F (+0°C).

■ charger specifications

The **ACCIAIO SE** utilizes a high-efficiency two stage charger providing precise float voltage control with low voltage disconnect protection. Program controlled trickle charge current is provided by the charging unit in order to maintain the optimum performance of the Ni-MH battery. All components used in the circuitry are temperature compensated. The charger also has brownout and short circuit protection. An external push button test switch and indicator allows maintenance personnel to quickly activate any manual tests on the fixture.

■ fcc

This device complies with part 15 of the FCC Rules. Operation is subject to the following two conditions: (1) This device may not cause harmful interference, and (2) this device must accept any interference received, including interference that may cause undesired operation.

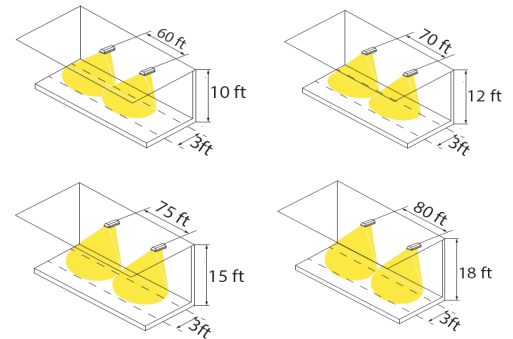
■ installation

The **ACCIAIO SE** is suitable for surface wall or ceiling mounting direct to a junction box (provided by others).

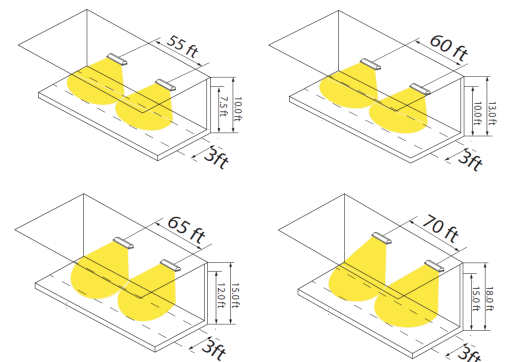
■ warranty

The **ACCIAIO SE** comes with a 3-year factory warranty. Deliberate damage, misuse, improper installation effectively cancel the warranty.

BX910LED2SE (CEILING MOUNT) - SPACING									
MOUNTING MEAN	MOUNTING HEIGHT (ft)	SPACING (ft)							
		60		70		75		80	
		ILLUMINANCE (fc)							
		AVE	MIN	AVE	MIN	AVE	MIN	AVE	MIN
CEILING (Orientation = 0°)	10	2.4	0.2						
	12			1.8	0.1				
	15					1.3	0.1		
	18							1.1	0.1



BX910LED2SE (WALL MOUNT) - SPACING											
MOUNTING MEAN	MOUNTING HEIGHT (ft)	SPACING (ft)									
		55		60		65		70		75	
		ILLUMINANCE (fc)									
		AV	MIN	AV	MIN	AV	MIN	AV	MIN	AV	MIN
WALL (Tilt angle = 10°)	7.5	2.6	0.2								
	10			2.0	0.2						
	12					1.6	0.2				
	15							1.3	0.2		
	18									1.0	0.1



For all cases - max/min < 40