

Job/Location: _____	Job Type: _____
Contractor: _____	Date: _____
Prepared By: _____	



BRH (INDOOR)



BRH-WP (OUTDOOR)



The **BRH** remote is available for indoor or outdoor applications. **BRH** remote is designed with high-performance chrome-plated metalized reflector and provides optimal light distribution. Fully adjustable LED heads ensure emergency lighting performance, accurate positioning and reduced maintenance. **BRH** is multivoltage (3.6V, 6V, 9.6V & 12V). Each head totals 1W. High output remote heads optional (1.5W). The operating temperature is from -22°F up to 104°F (-30°C up to 40°C).

The **BRH** indoor remote is constructed of engineering-grade, 5VA flame retardant, high-impact resistant, thermoplastic with a polycarbonate lens. Indoor remote comes standard in white.

The **BRH-WP** outdoor remote is constructed from die-cast aluminum with a tempered glass lens. **BRH-WP** is fully sealed and gasketed to protect it from the elements. Outdoor remote comes standard in grey.

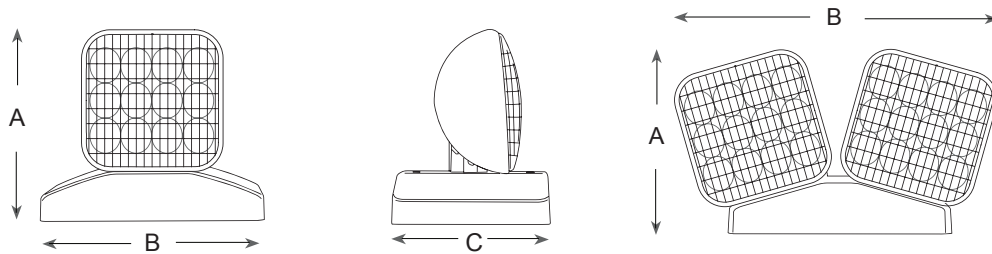
■ ordering logic

Series	Head #	Options
BRH ¹	1 (single head)	AT ² (autotest)
BRH-WP ¹	2 (double head)	B (black housing) HO (high output)

NOTE 1: BRH and BRH-WP are compatible with FORMA COMBO (FRM-C), XLP-LED, & Brezza(BRZ).

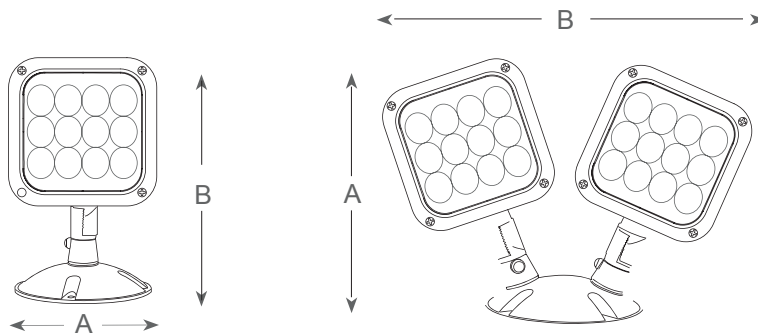
NOTE 2: Remotes with autotest option are only compatible with units that also have this option.

■ BRH | INDOOR REMOTES



BRH	A	B	C
SINGLE HEAD	4 7/8" (123.82mm)	5 7/8" (149.22mm)	4 1/2" (114.3mm)
DOUBLE HEAD	5" (127mm)	8 1/2" (215.9mm)	4 1/2" (114.3mm)

■ BRH-WP | OUTDOOR REMOTES



BRH-WP	A	B
SINGLE HEAD	4 1/4" (107.95mm)	6 5/8" (168.27mm)
DOUBLE HEAD	6 3/4" (171.45 mm)	10 3/8" (263.52mm)