

# ACCIAIO<sup>®</sup> ecoLED

ecological and economical



Beghelli  
LUCE<sup>®</sup>

IK09 IP66



TITLE TITLE  
24 20



SANITATION LISTED  
Conforms to  
ANSI / NSF  
STD NO. 2



**ecological**

Acciaio® is Italian for steel, the element used in the overall construction; taking advantage of the durability and formability characteristics of steel. With the high percentage of reuse and recovery steel is the most recycled material in the world. The high-output, long life LED technology used in the **Acciaio® Eco LED** contains no toxic materials. Energy consumption is reduced up to 50% over traditional light sources with an efficacy of up to 125 lm/W as energy is converted into light and not wasted as heat.



# ACCIAIO<sup>®</sup>ecoLED



**economical**

The installation of the **Acciaio<sup>®</sup> Eco LED** takes approximately 50% less time than competitors' similar products. All Acciaio<sup>®</sup> products ship sealed with a water-tight connector installed and power cord ready for connection. Installers are not required to open the Acciaio<sup>®</sup> housing to complete their installation. This results in quicker and more accurate installations saving both time and money. Value through performance, quality, reliability and a 7-year warranty.





# Versatile & High Performance LED

The structural simplicity of the **Acciaio® Eco LED**, combined with its high-strength materials and the ingress and impact resistance of IP66 and IK09, make it a product suitable to be installed in particularly tough conditions.

Performance is delivered through the crystal micro-prismatic diffuser specially designed to ensure maximum output with minimal glare. As a result of the 6' power cord and water tight strain relief bushing, installation is incredibly fast. The innovative design allows for easy maintenance should it ever be required.



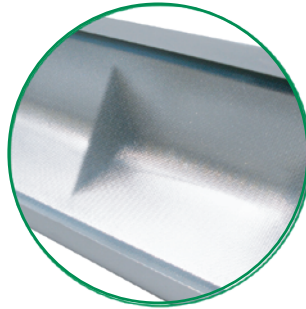
**Acciaio® Eco LED** answers the demand for products with high performance for industrial and commercial applications. The steel body and IK09 (impact rated tempered glass) result in an incredibly durable luminaire.

The optical system is composed of a reflector divided into 12 cells for optimal light distribution, and a special micro-prismatic tempered glass diffuser with extremely high light transmittance for superior visual comfort and performance.

**Acciaio® Eco LED** is suitable for use in harsh outdoor environments directly exposed to the weather. It is designed to withstand impact, vibration and mechanical disturbances typical of industrial environments.



*Internal gear tray supports all electrical components*



*3mm tempered glass diffuser features IK09 impact rating*



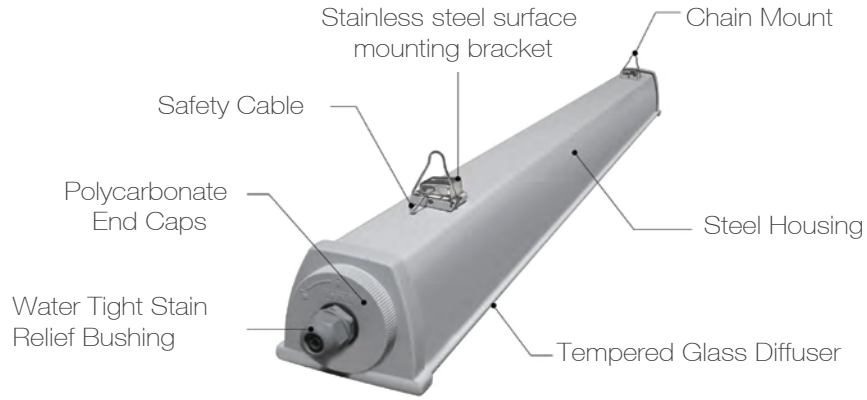
*Gasketed polycarbonate end caps ensure IP66 rating*

## GENERAL CHARACTERISTICS

WATTAGE CONSUMPTION	LO: 30W HO: 50W
VOLTAGE	120-277V, 347V, 50/60 Hz
DIMMING	0-10V
LUMENS	LO: 3543 up to 3765 lm HO: 5180 up to 5502 lm
EFFICACY	LO: 118 up to 125 lm/w HO: 104 up to 110 lm/w
CRI	>80
CCT	3000K • 3500K • 4000K • 5000K
LEVEL OF PROTECTION	IP66   IK09
AMBIENT TEMPERATURE	HT (AC Only) -40°C to 40°C SA (AC & Emergency) 0°C to 35°C
INSTALLATION	Surface Mount, Aviation Cable, Chain Hang, Pivot, Pendant, Trunnion
HOUSING	24 gauge rolled steel available in Grey or White
WEIGHT	9 lbs / 4.08 kg
OPTICS	Parabolic polished aluminum
DIFFUSER	Micro-prismatic High transmission tempered glass
LUMEN LIFESPAN	>60,000 (L70 hrs)



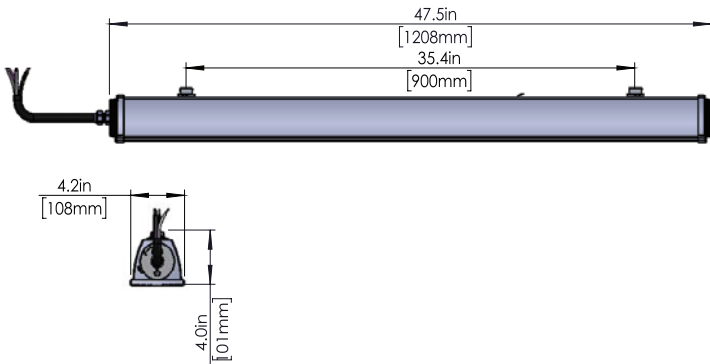
# TECHNICAL



# CONFIGURATIONS

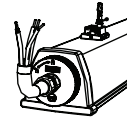
MODEL	LENGTH	OPERATION	OUTPUT	COLOR TEMP	INPUT	MOUNTING	OPTIONS
BX910LED	4 (ft)	HT (AC only) SA (AC & EM)	LO HO	WT30 (3000K)	120V-277V	AC (aviation cable)	FP (fuse protection - 3A)
				WT35 (3500K)	347V	CH (chain hang kit)	EOSL (external occupancy sensor - LOGICA)
				WT40 (4000K)		PK (pendant kit)	NODL (integrated node & sensor - LOGICA)
				WT50 (5000K)		PM (pivot mount)	EOS (external occupancy sensor)
						TM (trunnion mount)	SP (surge protection - 10KA)
							W (white housing)
							D (dali)

# DIMENSIONS



# MOUNTING

**SURFACE**  
(Standard)



**PM**  
(Pivot Mount)



**AC**  
(Aviation Cable)



**PK**  
(Pendant Kit)



**CH**  
(Chain Hang kit)

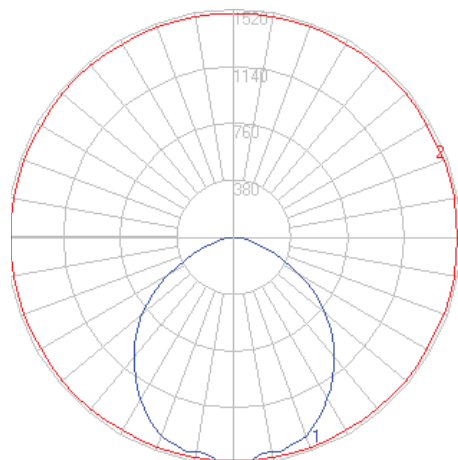


**TM**  
(Trunnion Mount)



# PHOTOMETRICS

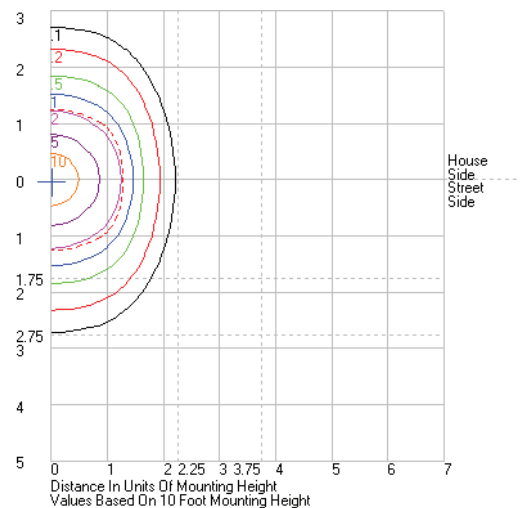
## POLAR CURVES



**Characteristics**

Electronic driver	
LED 4000°K	
Lumens Per Lamp	45.79 (96 lamps)
Total Lamp Lumens	4395.84
Luminaire Lumens	3654
Total Luminaire Efficiency	83 %
Luminaire Efficacy Rating (LER)	122
Total Luminaire Watts	30
Ballast Factor	1.00
CIE Type	Direct
Spacing Criterion (0-180)	1.24
Spacing Criterion (90-270)	1.34
Spacing Criterion (Diagonal)	1.36

## ISOLINES



\*Photometric information reflects LO 4000K model.



## FEATURES + BENEFITS



<p>24ga rolled steel, high pressure static powder coating</p>	<ul style="list-style-type: none"> <li>• Added durability for installations in special environments</li> </ul>
<p>High performance optics</p>	<ul style="list-style-type: none"> <li>• Micro-prismatic light distribution provides glare control and optimal performance</li> <li>• Reduce the number of fixtures to be maintained in an area</li> </ul>
<p>Tempered glass lens</p>	<ul style="list-style-type: none"> <li>• Has an IK09 (impact resistant) rating</li> <li>• Will not turn yellow over time, even in higher temperatures</li> </ul>
<p>IP66 protection</p>	<ul style="list-style-type: none"> <li>• For installation in wet locations and dust filled environments</li> <li>• Suitable for high pressure wash down areas (1450 psi)</li> </ul>
<p>Single entry point</p>	<ul style="list-style-type: none"> <li>• Maintains the integrity of the luminaire</li> <li>• Eliminates errors in installation and maintenance</li> </ul>
<p>Warranty</p>	<ul style="list-style-type: none"> <li>• 7-year warranty</li> </ul>
<p>72" line cord</p>	<ul style="list-style-type: none"> <li>• Installation time is approximately 50% less than comparable products</li> <li>• Reduced labor time = money saved</li> </ul>





**BEGHELLI USA**  
3810 Executive Way  
Miramar, Florida 33025 USA  
P: 954 442 6600  
F: 954 442 6677