

Catalog Number: _____
 Type: _____
 Job: _____ Date: _____

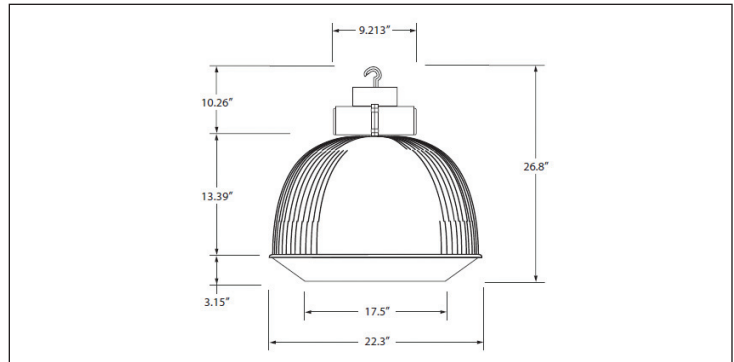
LX16R



APPLICATIONS:

The Luxnet LX16R Series is ideal for over 20ft. (6 meters) applications factories, foundries, machine shops, warehouses, and large retail stores.

DIMENSIONS:



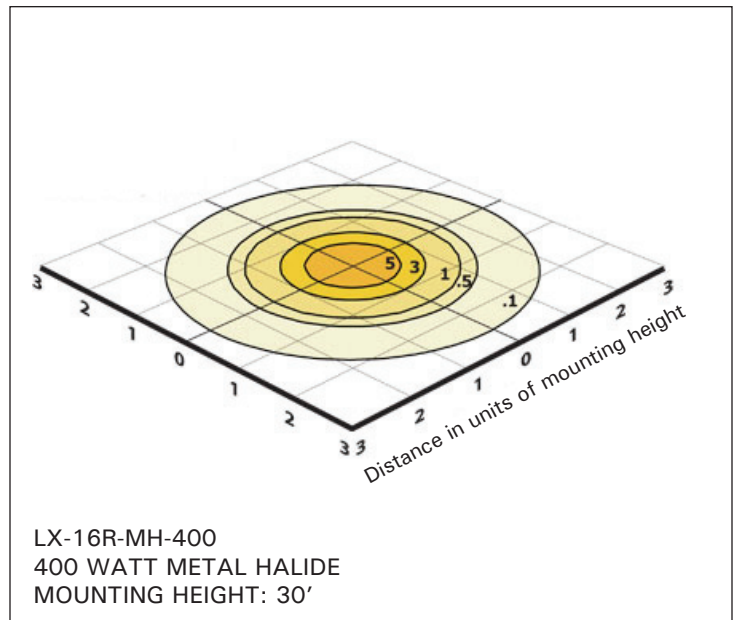
SPECIFICATIONS:

- Heavy duty die cast aluminum construction with white powder coat finish
- Mogul base socket-E39 standard
- Quick install hook for easy mounting
- Aluminum high performance reflector in 16 or 22 inches
- HP and MH available, 400W max
- Lamp included

LISTINGS:

- UL and cULus listed for damp locations

PHOTOMETRICS:



ORDERING CHART					
✓	Catalog Number	Wattage	Voltage	Weight	
				lbs	kgs
PULSE START METAL HALIDE					
	LX16R-MH400	400W	Quad-Tap®	24.54	11.2
HIGH PRESSURE SODIUM					
	LX16R-HP400	400W	Quad-Tap®	24.54	11.2

